

PROIZVOD: WAPSD-340RA

BEŽIČNI DETEKTOR ZAUZEĆA PARKING MESTA



NIŽE U ORIGINALU

Wireless on-Street Parking Detector Vehicle Sensor for Parking Space Guidance System
Basic Info Product Description Model NO.: WPSD-340 Working Mode: Wpsd-340 Falling Prevention Device:
IP68; Specification: Height (mm): 143mm Width (mm): 36mm HS Code: 85308000 Type: Parking Sensor
Driving: Magnetic and Optical The Vehicle Inlet and Outlet. If our wireless on-street parking detector
vehicle sensor for parking space guidance system is the one you're looking for, welcome to place orders for
the famous brands' products with us. As one of the leading manufacturers and suppliers in this field, we'll
offer you the best service and competitive price.

Basic Info

Product Description
Model No.: WAPSD-340
Falling Prevention Device: IP68
Design: Hemisphere Type
Specification: Height (mm): 143mm Width (mm): 36mm
HS Code: 85308000
Type: Parking Sensor
Driving: Magnetic and Optical
The Vehicle Inlet and Outlet: Under Detector
Certification: CE
Transport Package: One Sensor /One Box
Origin: China (Mainland)



+381 11 355 7599
+381 63 598 017
office@aspekt.rs

How does it work?

By the magnetic and optic sensing technology, the wireless parking detector vehicle sensors can measure occupancy of every parking space. The parking space occupancy information is transmitted to Wireless Data Collector (WADC), and then the WADC transmits all the data to system provider's parking management platform timely by RS232/485, USB, Ethernet.

Product detail

1. Wireless Parking Space Detector

Due to double detection technology with a sophisticated algorithm inside and employment of LPLR low power-long range technology, WAPSD achieves an extreme high detection accuracy, wide communication range, easy installing and cost-efficient parking lots occupancy data collection solution for indoor/outdoor parking guidance or management system.

2. Data Collector

Acts as a gateway between data server and all the wireless parking sensors to acquire the occupancy information of each parking spaces and relay to user system through its RS-232/485/Ethernet data interface.

3. Test and Configuration Tool (Parkview)

It provides device configuration and operation status monitor functions as well as detection result display. A demo system or experiment of testing purposes can be easily achieved by Parkview software.

Main advantage

- 1) Wireless communication: there's no need to place cables or wires as the installation of loops or ultrasonic sensor, but only pad, which makes WAPSDs become the most suitable vehicle detecting solution for parking lot, especially outdoor parking lot;
- 2) High accuracy: the wireless Parking Space Detector featured with dual magnetic and optic detection technology. The combination of the two vehicle detection technology, as well as a sophisticated algorithm, greatly improves the accuracy and efficiency of the detection. Accuracy >99%
- 3) Fast installation: it just needs about 2 minutes for installation of each WAPSD because of the adoption of pad installation;
- 4) Work in all weather: Because the WAPSD has strong characteristics of waterproof, snow defense, anti-press, anti-corrosion and strong anti-jamming capacity, it can normally work in all weather;
- 5) Average 7 years life span (replaceable);
- 6) Easy to maintain: Wireless parking space vehicle detector supports firmware updating over the air.
- 7) Low operation consuming: due to the ultra-low power design and battery supply solution, Wireless parking space vehicle detector (WAPSD)'s consumed power is very lower than any other detectors in the market. This appears more and more significantly to our environments;



+381 11 355 7599
+381 63 598 017
office@aspekt.rs



Installation

Wireless Parking Space Detectors (WPSD) is installed in each individual parking space, measure occupancy of these parking spaces.



MONTAŽA U BETON
Serije WAPSD-340SE



MONTAŽA U BEHATON
Serije WAPSD-340SE



MONTAŽA U ASFALT
Serije WAPSD-340SE

Application

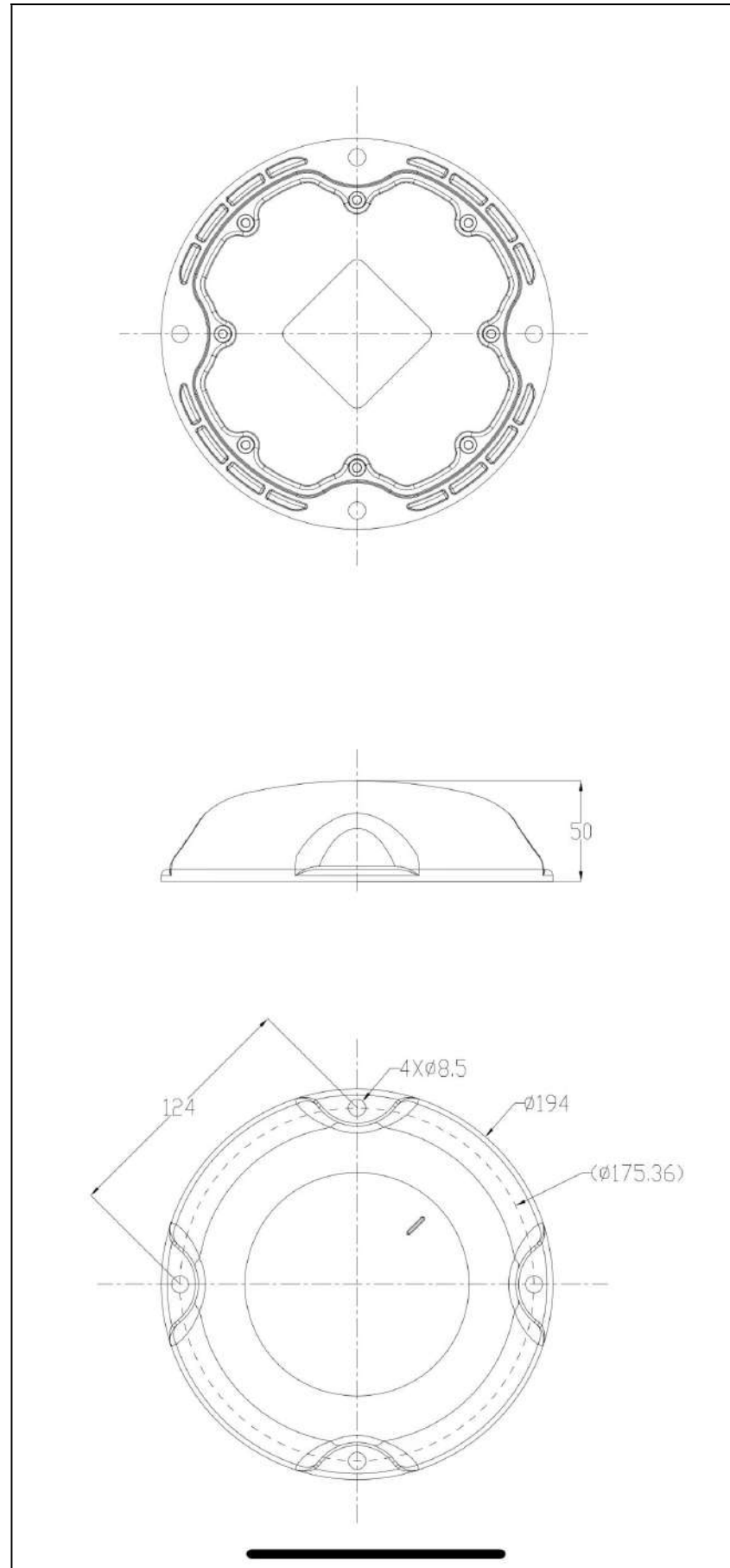
Wireless Parking detector vehicle sensor provides accurate individual parking space status measurement for indoor/outdoor/street smart parking guidance system.

Maintain & Support

ASPEKT doo provides our customers high-quality wireless vehicle detecting products and solutions. It enjoys 24 month warranty and engineer technical support. Keep all product firmware relevant and up to date, fix problems as soon as they arise. For first contact, there is sample kit including all necessary parts available for client test and demo. The ordered products will be packed and delivered within 7 days

SLEDI RADIONIČKA DOKUMENTACIJA

+381 11 355 7599
+381 63 598 017
office@aspekt.rs



KRAJ



+381 11 355 7599
+381 63 598 017
office@aspekt.rs