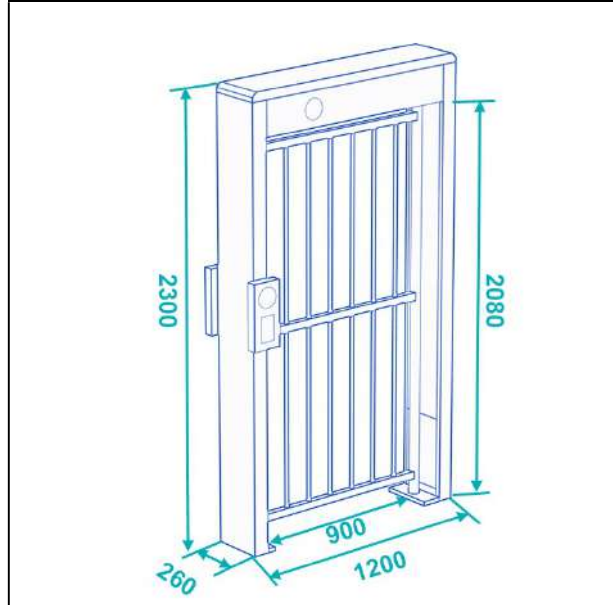


SIGURNOSNA PEŠAČKA KAPIJA

ŠIFRA PROIZVODA: DASSP6004C

Namenjena kontroli pristupa pešaka u ind. komplekse, private rezidencije itd.



NIŽE U ORIGINALU

Features of Pedestrian Security Gate

- Whole product is in full industrialized design, produced for high/low temperature, and dusty hazardous environment
- It has various design for optional
- The pedestrian length and height of pedestrian gate is can be customized
- The system is mainly design to enclose open space or for handicapped passing
- It is suitable for both indoor and outdoor applications
- Easy to install and maintain
- 3-year warranty support

Product Parameters

Model No.	DASSP6004C
Type	Motor with clutch
Framework Material	304 Full Stainless Steel
Dimension	1200 *260* 2300(mm)
Inner Height	2080(mm)
Passage Width	900(mm)
Weight	65kg/pcs
MCBF	10 million
Direction of Door Open	Two ways
Power Supply	AC220V/110V, 50/60Hz



+381 11 355 7599
+381 63 598 017
office@aspekt.rs

Operation Voltage	24V DC
Power Consumption	20W
Operation Temperature	-15 °C - 60 °C
Operation Humidity	0 ~ 95% (No freeze)
Working Environment	Indoor / Outdoor
Flow Rate	30 people per minute
Emergency	Arms will open automatically

KRAJ

+381 11 355 7599
+381 63 598 017
office@aspekt.rs