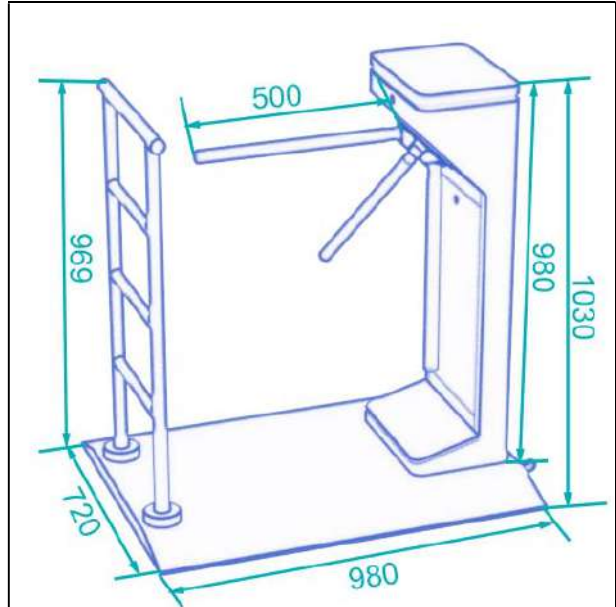


TROKRAKA ROTACIONA PREPREKA - STUB

ŠIFRA PROIZVODA: **DASN-50P**

NIŽE U ORIGINALU

Features of Portable Turnstile

- Long-life performance, high operation dependability and fast response
- The whole system runs smoothly, low noise, no mechanical impact
- Single directional or Bi-directional is selectable
- Automatic reset function: turnstile arm will lock automatically within 5s (can be setting) if passenger delay to entry
- Anti-tailing function: only one person passes at one time
- When power is off, arms will open automatically, which is complying with fire safety requirements
- LED indicator (red x means no entry; green → means entry)
- Easy to install and maintain
- 3-year warranty support

Top Panel Customized

The top panel is available in different solutions according to requirements, like card, qr code, fingerprint, facial device...



+381 11 355 7599
+381 63 598 017
office@aspekt.rs

Product Parameters

Model No.	DASN-50P
Framework Material	304 full stainless steel + high end black tempered film glass
Arm Material	304 Stainless Steel (Black rubber protector is optional)
Dimension	Turnstile: 360 *260 * 980mm Base: 980 *720 * 50mm Bar: 460*969mm
Weight	50kg/pcs
Passage Width	550mm (Arm length: 500mm)
Passing Direction	Single directional / Bi-directional
MCBF	10 million
Power Supply	AC220V/110V, 50/60Hz
Operation Voltage	24V DC
Power Consumption	40W
Operation Temperature	-15 °C - 60 °C
Operation Humidity	0 ~ 95% (No freeze)
Working Environment	Indoor / Outdoor
Flow Rate	35 people per minute
LED Indicator	Three LED indicators on top: blue→default, green → valid, red → invalid
Emergency	Automatic arm open when power off
Flexibility	Integrate with any access control
Communication	Dry contact, Relay signal, RS485
Certification	Compliance CE, ROHS



High End Tempered Glass

At the top, it's covered by a high black tempered glass, show up an attractive and impressive character.

Weld Robot & Mold Production

Superior production: combine mold production to ensure the high quality guaranteed. Welding: adopt robot for weld to improve the high technological level.

LED Indicator

The full stainless-steel body is surrounded with dazzling decorative LED light bar which bring out an aesthetic and distinctive sense. Three colors LED Indicator interface: blue for power on, green for valid card access, red for invalid card access.



 +381 11 355 7599
 +381 63 598 017
 office@aspekt.rs

KRAJ