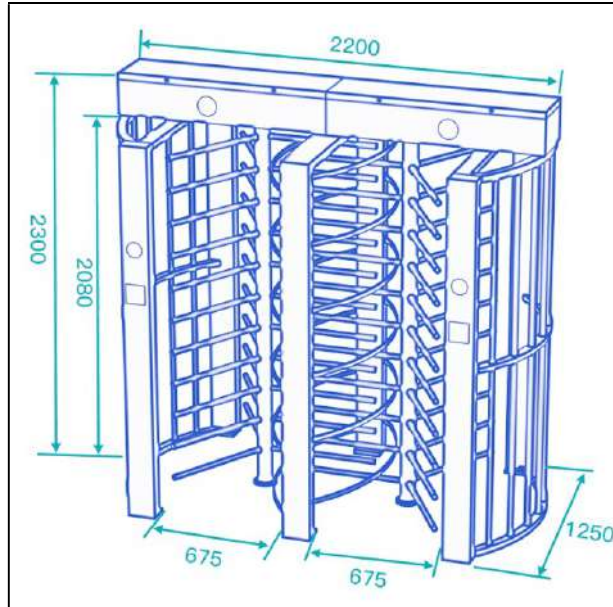


# VISOKA ROTACIONA ("KARUSEL") PREPREKA

ŠIFRA PROIZVODA: DAS412

Namenjena kontroli pristupa pešaka u sportskim arenama ind. kompleksima itd.



## NIŽE U ORIGINALU

### Features of Full Height Turnstile

- Long-life performance, high operation dependability and fast response
- The mechanism is equipped with an automatic regulated hydraulic buffer device. No noise and impact when running
- Single directional or Bi-directional is selectable
- Automatic reset function: turnstile arm will lock automatically within 5s (can be setting) if passenger delay to entry
- Anti-tailing function: only one person passes at one time
- When power is off, arms will open automatically, which is complying with fire safety requirements
- LED indicator (red x means no entry; green → means entry)
- Structure of trunking to contain cable tidy inside the case
- Structure of ring cover on top and bottom to beautify it
- Override key function: when power failure, support to control open and close by manual
- Easy to install and maintain
- 3-year warranty support

### Product Parameters

Model No.	DAS412
Framework Material	304 Full Stainless Steel
Dimension	2200 * 1250 * 2300mm
<b>Weight</b>	<b>350kg/pcs</b>
Passage Width	2 Lanes, 675mm/lane
Arm Support	120° rotors with 3 sections or 90° rotors with 4 sections
Passing Direction	Single directional / Bi-directional

+381 11 355 7599  
+381 63 598 017  
office@aspekt.rs

<b>MCBF</b>	<b>10 million</b>
Power Supply	AC220V/110V, 50/60Hz
Operation Voltage	24V DC
Power Consumption	40W
Operation Temperature	-15 °C - 60 °C
Operation Humidity	0 ~ 95% (No freeze)
<b>Working Environment</b>	<b>Indoor / Outdoor</b>
Flow Rate	30 people per minute
LED Indicator	Yes
Emergency	Automatic arm open when power off
Communication	Dry contact, Relay signal, RS485



**KRAJ**



+381 11 355 7599  
+381 63 598 017  
office@aspekt.rs