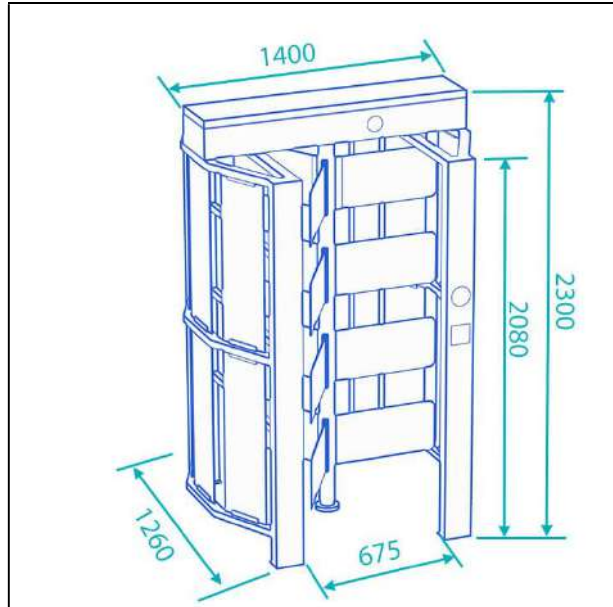


VISOKA ROTACIONA ("KARUSEL") PREPREKA

ŠIFRA PROIZVODA: DAS401G

Namenjena kontroli pristupa pešaka u sportskim arenama ind. kompleksima itd.



NIŽE U ORIGINALU

Features of Full Height Turnstile

- Long-life performance, high operation dependability and fast response
- The mechanism is equipped with an automatic regulated hydraulic buffer device. No noise and impact when running
- Single directional or Bi-directional is selectable
- Automatic reset function: turnstile arm will lock automatically within 5s (can be setting) if passenger delay to entry
- Anti-tailing function: only one person passes at one time
- When power is off, arms will open automatically, which is complying with fire safety requirements
- LED indicator (red × means no entry; green → means entry)
- Structure of trunking to contain cable tidy inside the case
- Structure of ring cover on top and bottom to beautify it
- Override key function: when power failure, support to control open and close by manual
- Easy to install and maintain
- 3-year warranty support

Product Parameters

Model No.	DAS401G
Framework Material	304 full stainless steel + acrylic arms
Dimension	1400 * 1260* 2300mm
Inner Height	2080mm
Weight	200kg/pcs
Passage Width	550~650mm
Arm Support	120° rotors with 3 sections

+381 11 355 7599
+381 63 598 017
office@aspekt.rs

Passing Direction	Single directional / Bi-directional
MCBF	10 million
Power Supply	AC220V/110V, 50/60Hz
Operation Voltage	24V DC
Power Consumption	40W
Operation Temperature	-15 °C - 60 °C
Operation Humidity	0 ~ 95% (No freeze)
Working Environment	Indoor / Outdoor with solid rain protection roof
Flow Rate	30 people per minute
LED Indicator	Yes
Emergency	Automatic arm open when power off
Communication	Dry contact, Relay signal, RS485

KRAJ



+381 11 355 7599
+381 63 598 017
office@aspekt.rs