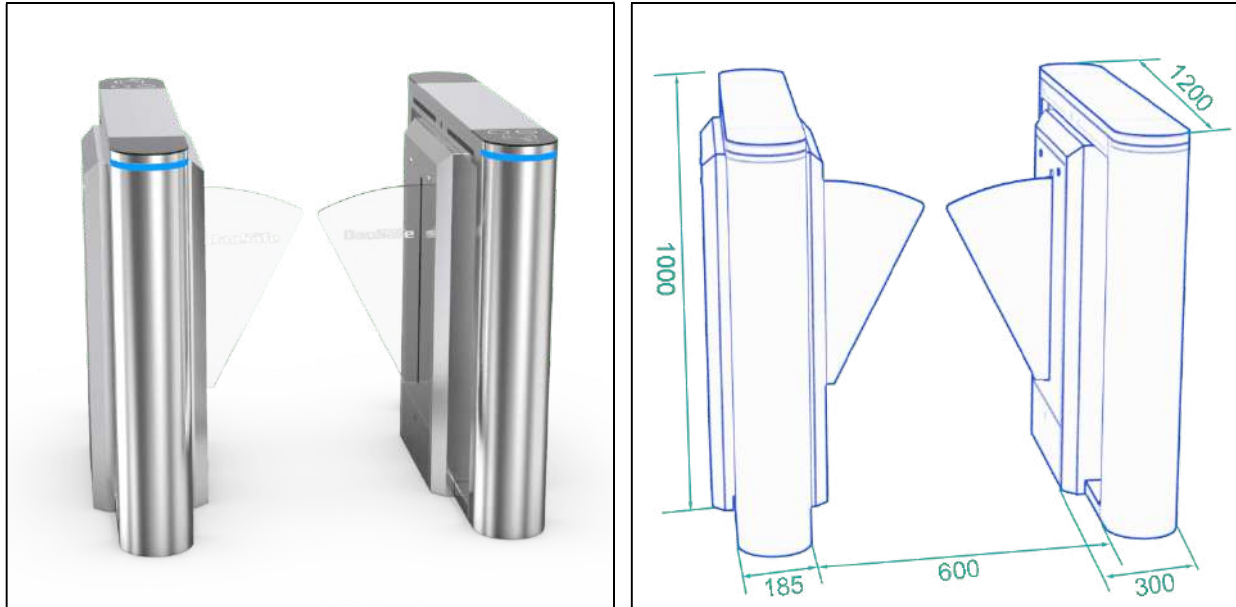


KRILNA UVLAČEĆA ("FLAPS") PREPREKA

ŠIFRA PROIZVODA: DAS312



NIŽE U ORIGINALU

Features of Optical Flap Turnstile

- Long-life performance, high operation dependability and fast response
- The whole system runs smoothly, low noise, no mechanical impact
- Single directional or Bi-directional is selectable
- Automatic reset function: flap arms will lock automatically within 5s (can be setting) if passenger delay to entry
- When power is off, flap arms will open automatically, which is complying with fire safety requirements
- LED indicator (red — means no entry; green → means entry)
- Infrared sensor alarm function, in case of illegal intrusion and reverse intrusion
- Anti-intrusion function, the turnstile is locked automatically until valid opening signal input
- Anti-reverse function, the turnstile alarms if someone wants to entry in the reverse direction
- Anti-trailing function, the turnstile alarm if someone wants to burst in without permission
- In case of emergency, the flap arms will stretch in to open automatically for free passage
- Easy to install and maintain
- 3-year warranty support

Integrate Any Access Controllers

Model DAS312 can be integrated with any 3rd access control systems, like card, QR/bar code, biometric, button, remote control, palm vein and so on.



Product Parameters

Model No.	DAS312
Framework Material	304 Full Stainless Steel
Arm Material	Plexiglas - transparency
Dimension	1200 * 185 * 1000mm
Weight	60kg/pcs (single core), 80kg/pcs (double core)
Passage Width	600mm
Passing Direction	Single directional / Bi-directional
MCBF	10 million
Power Supply	AC220V/110V, 50/60Hz
Operation Voltage	24V DC
Power Consumption	40W
Operation Temperature	-15 °C - 60 °C
Operation Humidity	0 ~ 95% (No freeze)
Working Environment	Indoor / Outdoor
Flow Rate	45 people per minute
LED Indicator	Yes
Infrared Sensor	5 pairs (4 pairs up, 1 pair down)
Emergency	Automatic arm open when power off
Communication	Dry contact, Relay signal, RS485

KRAJ



+381 11 355 7599
+381 63 598 017
office@aspekt.rs