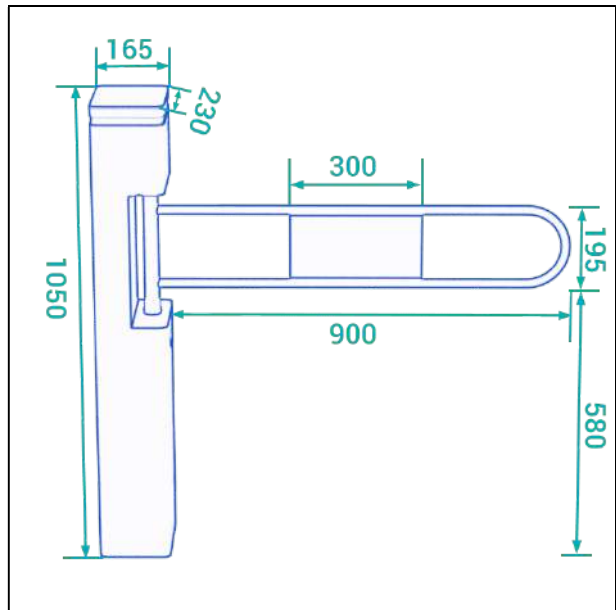
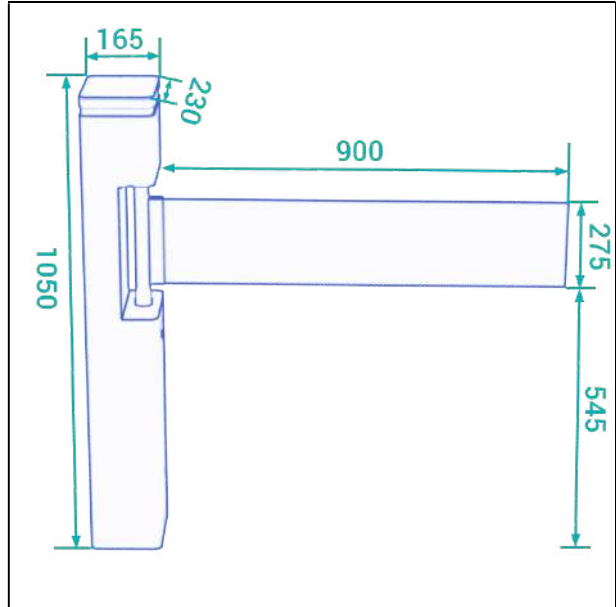


KRILNA BI-DIREKCIONALNA PREPREKA - STUB

ŠIFRA PROIZVODA: DAS225G / DAS225S



NIŽE U ORIGINALU

Features of Nebula Swing Turnstile

- The whole system runs smoothly, long-life performance, high operation dependability and fast response
- Alarm function, in case of illegal intrusion and reverse intrusion (optional)
- Infrared sensor to prevent pinch pedestrians (optional)
- Anti-breakthrough function. The gate is locked automatically until opening signal received
- Anti-trailing function, the turnstile will lock if someone wants to burst in without swiping the RFID card
- Automatic reset function. If the user fail to pass within the prescribed time (default time is 5 seconds), the system will cancel the authority of the current user automatically

+381 11 355 7598
+381 63 598 017
office@aspekt.rs

- When power is off, optical turnstile will open automatically, which is complying with fire safety requirements
- Superior production: Combine mold production to ensure the high quality guaranteed
- Welding: adopt robot for weld to improve the high technological level
- Easy to install and maintain
- 3-year warranty support

Product Parameters

Model No.	DS225
Framework Material	304 brushed stainless steel+ high end black tempered film glass
Arm Material	Plexiglas / Stainless Steel
Dimension	230 * 165 * 1050mm
Weight	25kg/pcs
Passage Width	≤900mm (One passage)
Passing Direction	Single directional / Bi-directional
MCBF	10 million
Power Supply	AC220V/110V, 50/60Hz
Operation Voltage	24V DC
Power Consumption	40W
Operation Temperature	-20 °C - 75 °C
Operation Humidity	0 ~ 95% (No freeze)
Working Environment	Indoor / Outdoor
Flow Rate	40 people per minute
LED Indicator	Yes
Infrared Sensor	2 pairs (optional) up or down
Emergency	Automatic arm open when power off
Communication	Dry contact, Relay signal, RS485



KRAJ



+381 11 355 7599
+381 63 598 017
office@aspekt.rs