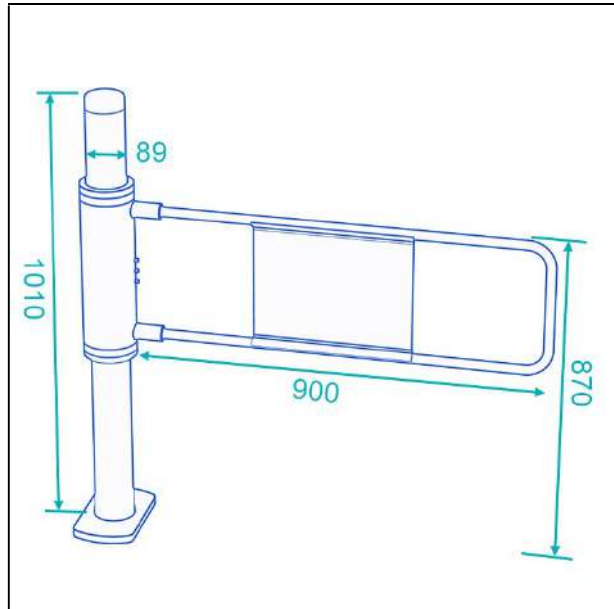


# KRILNA MEHANIČKA PREPREKA - OPRUGA

ŠIFRA PROIZVODA: DAS208



## NIŽE U ORIGINALU

### Product Parameters

Model No.	DAS208
Type	Manual Swing Turnstile
Framework Material	Full Stainless Steel
Dimension	89 * 1010mm
<b>Weight</b>	<b>25kg/pcs</b>
Passage Width	900mm (1pcs), 1800mm (2pcs)
<b>Passing Direction</b>	<b>Single directional</b>
<b>Working Environment</b>	<b>Indoor / Outdoor</b>
Flow Rate	40 people per minute
LED Indicator	No
Manual Push	Left or right

KRAJ



+381 11 355 7599  
+381 63 598 017  
office@aspekt.rs