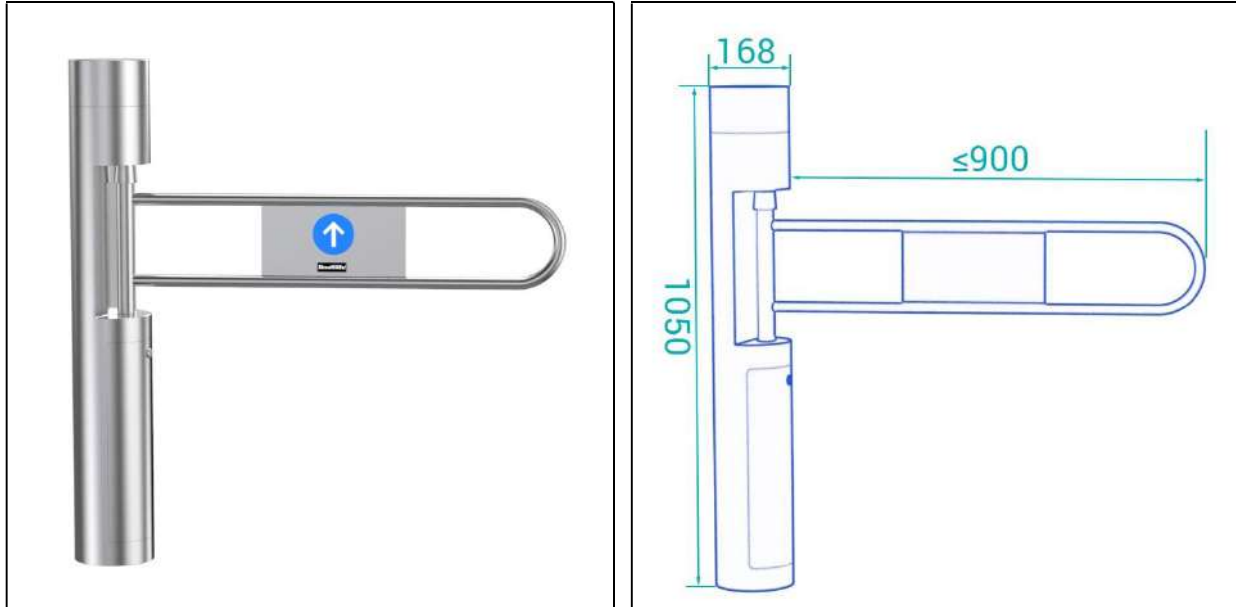


KRILNA BI-DIREKCIONA PREPREKA - CILINDAR

ŠIFRA PROIZVODA: DAS205A



NIŽE U ORIGINALU

Features of Swing Turnstile

- The whole system runs smoothly, long-life performance, high operation dependability and fast response
- Alarm function, in case of illegal intrusion and reverse intrusion (optional)
- Infrared sensor to prevent pinch pedestrians (optional)
- Anti-breakthrough function. The gate is locked automatically until opening signal received
- Anti-trailing function, the turnstile will lock if someone wants to burst in without swiping the RFID card (optional)
- Automatic reset function. If the user fail to pass within the prescribed time (default time is 5 seconds), the system will cancel the authority of the current user automatically
- When power is off, optical turnstile will open automatically, which is complying with fire safety requirements
- Easy to install and maintain
- 3-year warranty support

Product Parameters

Model No.	DAS205A
Framework Material	304 Full Stainless Steel
Arm Material	Plexiglass / Stainless Steel
Dimension	168 * 1050mm
Weight	25kg/pcs
Passage Width	≤900mm (one pcs)
Passing Direction	Single directional / Bi-directional
MCBF	10 million
Power Supply	AC220V/110V, 50/60Hz
Operation Voltage	24V DC



+381 11 355 7599
+381 63 598 017
office@aspekt.rs

Power Consumption	40W
Operation Temperature	-15 °C - 60 °C
Operation Humidity	0 ~ 95% (No freeze)
IP Level	IP54
Working Environment	Indoor / Outdoor (shelter)
Flow Rate	40 people per minute
Infrared Sensor	Optional
Emergency	Automatic arm open when power off
Communication	Dry contact, Relay signal, RS485

KRAJ



+381 11 355 7599
+381 63 598 017
office@aspekt.rs