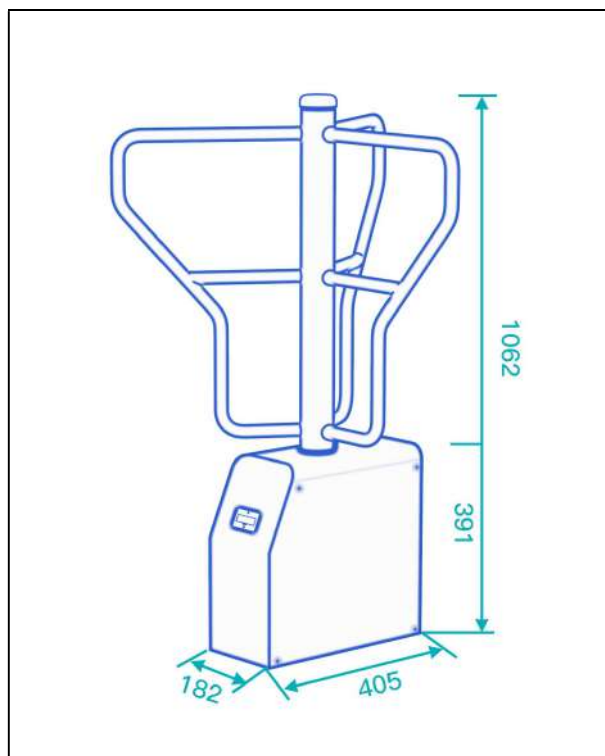


TROKRAKA ROTACIONA PREPREKA - BUS

ŠIFRA PROIZVODA: **DAS4000**

Namenjena pre svega kontroli pristupa putnika u autobuse, vozove itd.



NIŽE U ORIGINALU

Features of Bus Turnstile

- Long-life performance, high operation dependability and fast response
- The whole system runs smoothly, low noise, no mechanical impact
- Adopts a unique transmission system of manual rotation brake lever and automatic reset, automatic locking and unlocking mechanism, making the operation of the bus turnstile more safe, reliable and convenient.
- Single directional or Bi-directional is selectable
- Automatic reset function: turnstile arm will lock automatically within 5s (can be setting) if passenger delay to entry
- Anti-tailing function: only one person passes at one time
- When power is off, arms will open automatically, which is complying with fire safety requirements
- Easy to install and maintain
- 3-year warranty support

Product Parameters

Model No.	DS4000
Brand	Daosafe
Framework Material	A3 Steel
Color	Black (default), Blue (optional)
Dimension	666 * 585 * 1062mm
Weight	50kg/pcs
Passage Width	550mm



+381 11 355 7599
+381 63 598 017
office@aspekt.rs

Passing Direction	Single directional / Bi-directional
MCBF	10 million
Power Supply	AC220V±10%, 50Hz
Operation Voltage	24V DC
Power Consumption	30W
Operation Temperature	-20°C ~ 75°C (below -20°C can be customized)
Operation Humidity	0 ~ 95% (No freeze)
Working Environment	Indoor / Outdoor with solid rain protection roof
Flow Rate	35-40 people per minute
Counting Function	Support
Emergency	Automatic arm open when power off
Communication	Dry contact, Relay signal, RS485

KRAJ

+381 11 355 7599
+381 63 598 017
office@aspekt.rs