

RFID ČITAČ: TA12WiFi

SAMOSTALAN SA TASTATUROM & WG (In/Out)



NIŽE U ORIGINALU

WiFi Touch Screen Standalone Access Controller

The device is a standalone access control and proximity card reader which supports EM & MF card types. It builds-in STC microprocessor, with strong anti-interference ability, high security and reliability, powerful function and convenient operation. It's widely used in high-end buildings, residential communities and other public places.

Features:

Ultra-low Power: Standby current is less than 30mA

Wiegand Interface: WG26 or WG34 input and output

Searching time: Less than 0.1s after reading card

Backlight keypad: Operate easily at night

Doorbell interface: Support external wired doorbell

Access ways: Card, Pin code, Card & Pin code

Independent codes: Use codes without related card

Change codes: Users can change codes by themselves

Delete users by card No.: The lost card can be deleted by keyboard



+381 11 355 7599
+381 63 598 017
office@aspekt.rs

Technical specification

Working Voltage	DC12-24V
Capacity	2000 users
Card Reading Distance	1~3cm
Lock output load	≤3A
Standby Current	≤30mA
Door Relay time	0~99S (Adjustable)
Working Temperature	-40°C~60°C
Working Humidity	10%~90%
Dimensions	117*71*22mm

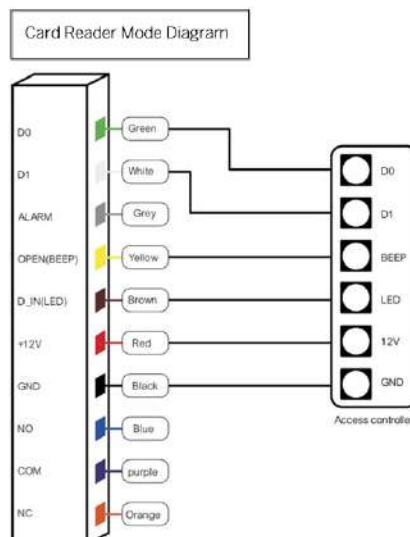
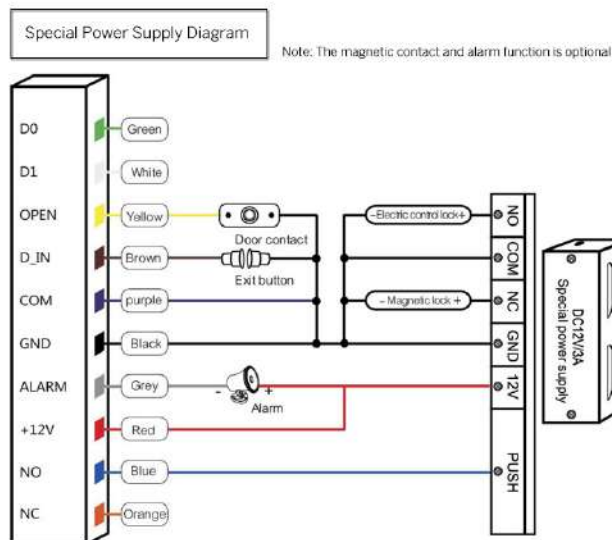
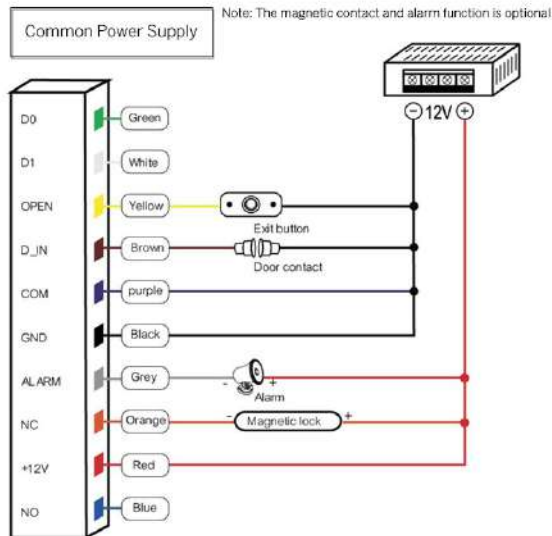


SLEDE SHEME POVEZIVANJA (WIRING DIAGRAMS)



+381 11 355 7599
+381 63 598 017
office@aspekt.rs

WIRING DIAGRAM




 +381 11 355 7599
 +381 63 598 017
 office@aspekt.rs