

RFID ČITAČ: TA12

SAMOSTALAN SA TASTATURUM & WG (In/Out)



NIŽE U ORIGINALU

Touch Screen Standalone Access Controller
Model No.: TA12 EM

The unit is a single door multifunction touch standalone access controller or a Wiegand output keypad or card reader. It is a plastic touch keypad access control. The inbuilt card reader supports 125KHZ EM cards. This unit has the inbuilt upscale microprocessor which makes the unit very jam-proof, safe, and reliable. It is suitable for mounting either indoor or outdoor. This unit supports up to 2000 users in either a Card, 4 digit PIN, or a Card + PIN option. The unit has many extra features including lock output current short circuit protection, Wiegand output, and a backlit keypad. These features make the unit an ideal choice for door access not only for small shops and domestic households but also for commercial and industrial applications such as factories, warehouses, laboratories, banks, and prisons.

Touch keypad, numbers backlit; Can be used as a standalone keypad for PIN users

Lock output current short circuit protection

Built-in a light-dependent resistor (LDR) for anti-tamper

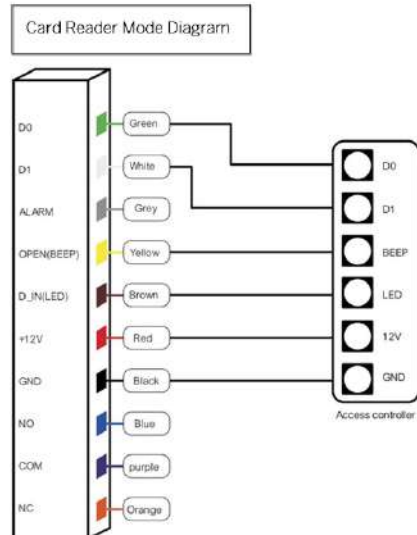
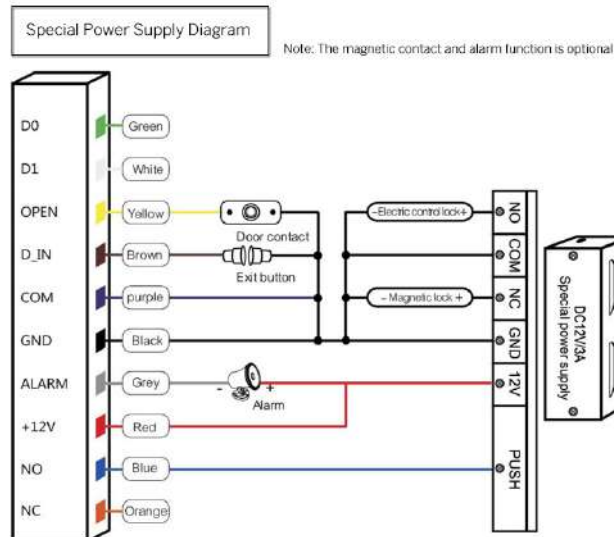
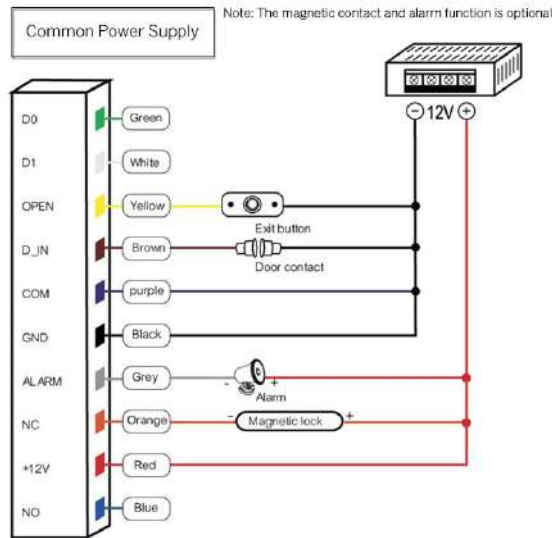
Built-in buzzer; Red, Orange and Green LEDs display the working status

Operating Voltage	DC 12V±10%
User Capacity	2000
Card Reading Distance	3-6 cm
Active Current	<60mA
Idle Current	25±5 mA
Lock Output Load	Max 3A
Alarm Output Load	Max 20A
Operating Temperature	-45°C~60°C
Operating Humidity	10%- 90% RH
Adjustable Door Relay time	0 - 99 seconds
Adjustable Alarm Time	0 - 3 minutes
Wiegand Interface	Wiegand 26 bit
Size	117*71*22MM
Wiring Connections	Electric Lock, Exit Button, External Alarm, External reader



+381 11 355 7599
+381 63 598 017
office@aspekt.rs

WIRING DIAGRAM




 +381 11 355 7599
 +381 63 598 017
 office@aspekt.rs