

RFID ČITAČ TA-5: SAMOSTALNI + WG

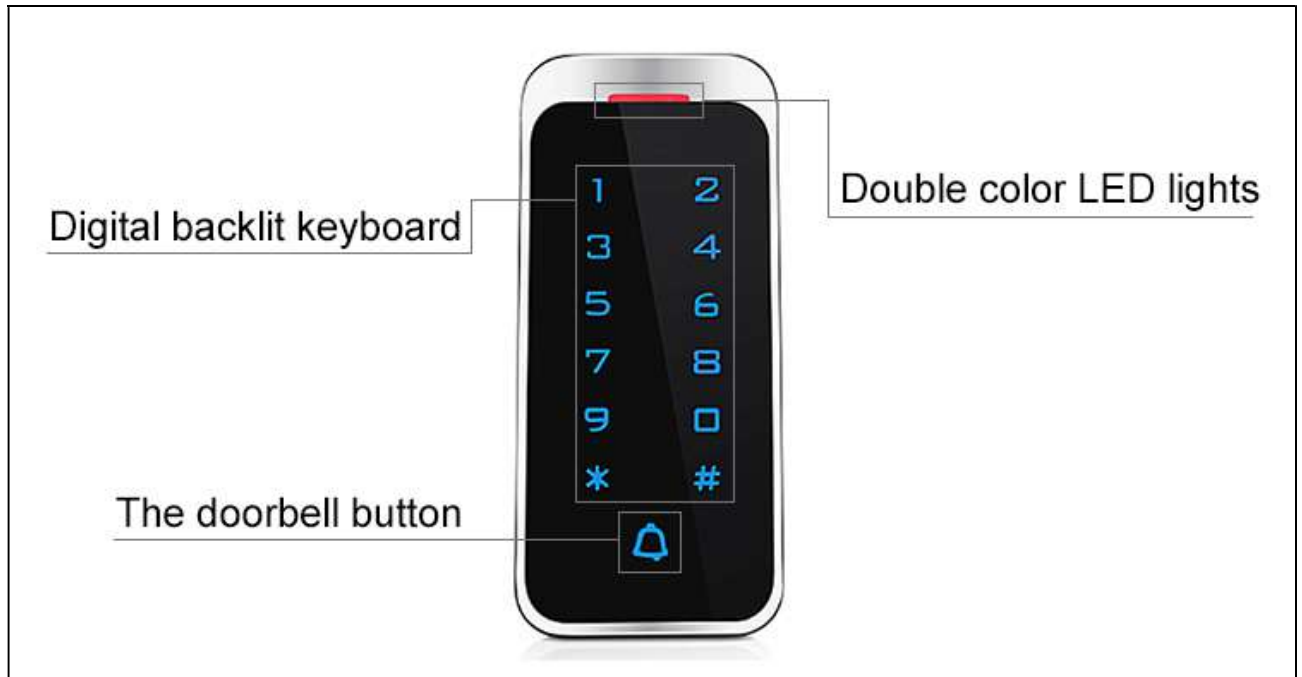
PART No: TA-5(EM, ili MF)

NIŽE, U ORIGINALU

Narrow Touch Keypad with Proximity Card type: EM or MF Card

Model No.: TA-5

- > Metal case, anti-vandal
- > Digital backlit touch keypad
- > Multi-function standalone access controller and reader,
- > WG interface: WG26 Input / output
- > Capacity: 2000 cards / codes
- > Three accesses: card, pin, card + pin



Card type	EM or MF
Working voltage	DC12V±10%
Reading Range	3-6cm
Humidity	10%~90% RH
Door Opening Time	0~99s(Adjustable)
Sleep electricity	≤30mA
Ambient temperature	-45°C~60°C
Electric lock output	≤3A
Short-circuit Protect	≤100μS
Dimensions	130*60*22mm



+381 11 355 7599
+381 63 598 017
office@aspekt.rs

Metal case, anti-vandal



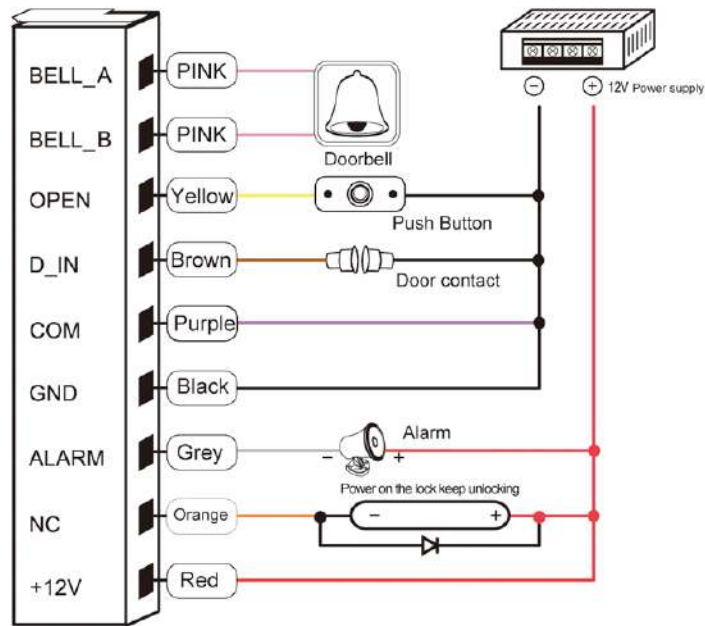
Touch-screen access control

Wiegand 26 bit

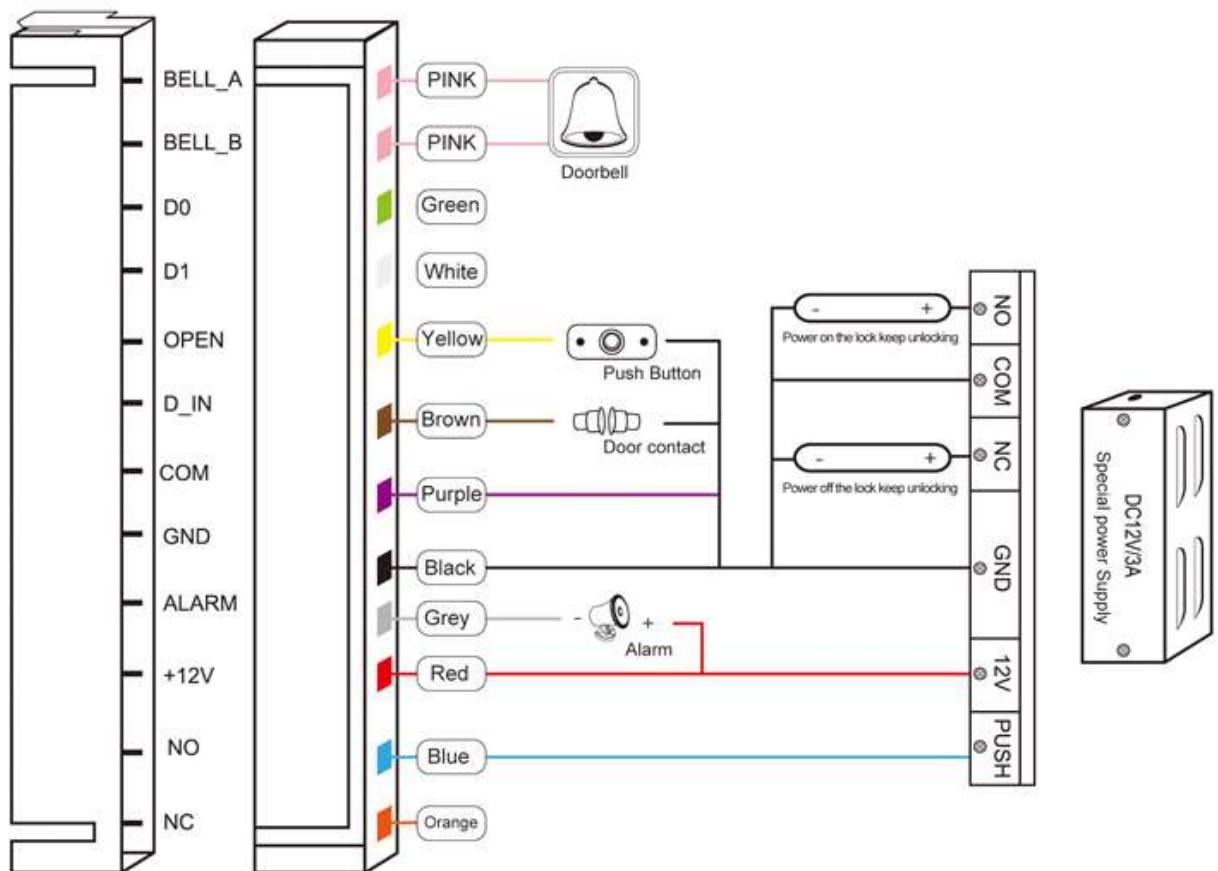


+381 11 355 7599
+381 63 598 017
office@aspekt.rs

Common power supply diagram



Special power supply diagram



← Connect



 +381 11 355 7599
 +381 63 598 017
 office@aspekt.rs