

SAMOSTALAN ACC. KONTROLER

PART No: Sboard-II

NA KOJI SE MOŽE POVEZATI BILO KOJA „WIEGAND“ PERIFERIJ
ODNOSNO, RFID ČITAČ, SKENER OTISKA PRSTA, BARCODE SKENER ITD.

NIŽE, U ORIGINALU

Sboard-II Mini Two-door Controller
2,100 users, user data can be transferred
Multi access modes: Card, Card or PIN, Card with PIN
and multi Cards/PINs
Can connect with any reader with Wiegand 26~37
bits output
Can connect with any keypad reader with 4bits, 8bits
(ASCII), or 10bits Virtual number output
Support Master Card function
Support set principal card



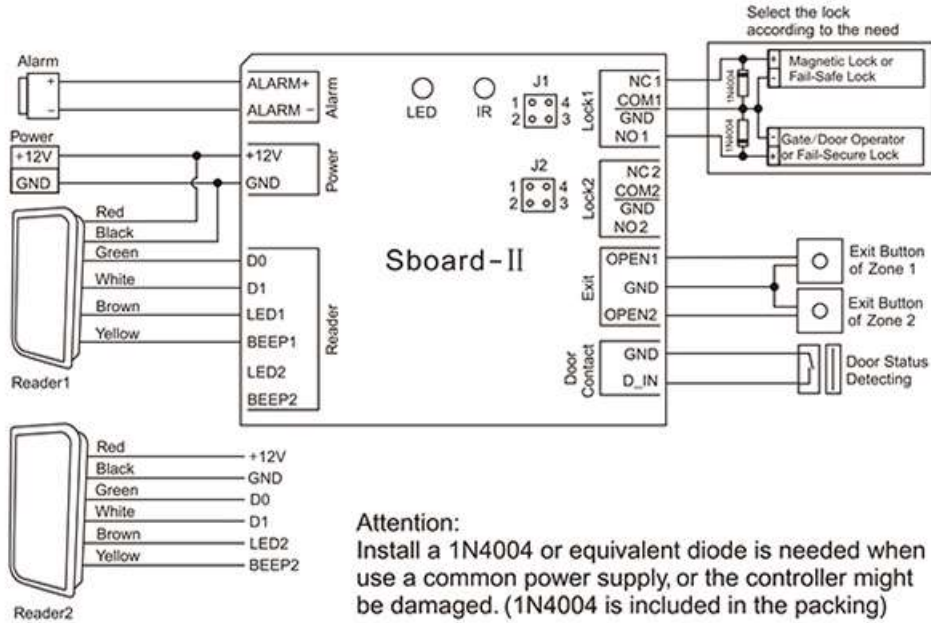
TECHNICAL SPECIFICATION

Product Parameter	Parameter Description
S4A Model	Sboard-II
Product Name	Mini Two-door Controller
User Capacity	2100
Zone 1	2,000
Zone 2	100
Operating Voltage	9~24V DC
Idle Current	<30mA
Idle Current (With Wifi)	<100mA
Adjustable Relay Output Time	1~99 Seconds (5 seconds default)
Lock Output Load	10 Amp Maximum
Wiegand Input	Wiegand 26~37 bits
Wiegand Output	Wiegand 26~37 bits (for user transfer)
Environment	Indoor
Operating Temperature	-40 oC ~ 60 oC (-40 oF ~ 140 oF)
Operating Humidity	0~90%RH
Physical	ABS Shell
Colour	Black
Unit Weight	0.1KG
Standard Package	54pcs/carton
Carton Weight	9.5KG
Carton Size	34*40*33.5cm

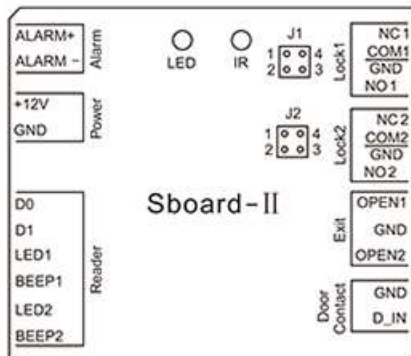


+381 11 355 7599
+381 63 598 017
office@aspekt.rs

Wiring Diagram

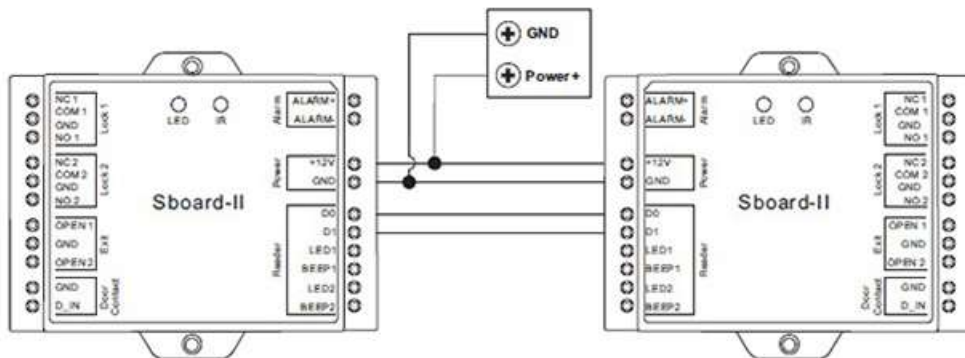


When User NO/NC/COM Dry Contact Output



- 1) Remove the Pin Caps on points 1, 2, 3, and 4 (Remark: J1 (Relay 1) & J2 (Relay 2) , please check the relay you are using)
- 2) Insert one of the Pin Caps on point 1 and point 4
- 3) Fix the back cover, and keep the other Pin Cap well

User Transfer



+381 11 355 7599
+381 63 598 017
office@aspekt.rs