

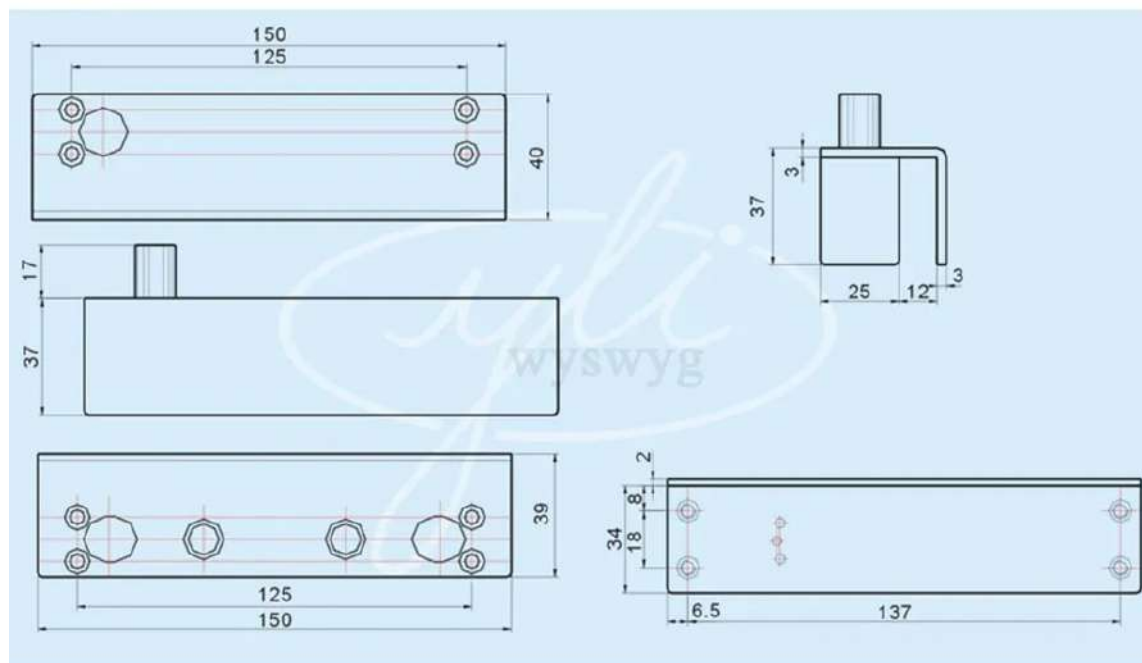


Datum (Date): 08/06/2018god



## PROIZVOD

PART NO: BAK-08A (stara oznaka „YAB-500U(LED)“)  
Elektro brava za STAKLENA VRATA. TIP – “ELECTRIC BOLT”



### U ORIGINALU

Fail safe electric bolt is for fully frameless glass door  
Model : YAB-500U(LED)

YAB-500U (LED) is an all-metal construction electric bolt .specially designed for fully frameless glass doors. It can be worked bear the temperature of 60 °C or -40 °C The bolt of the lock is made of 304 stainless steel solid bar with 1000kg holding force and anti-burglar design. With the multiple designs of durable magnetic valve, special photoelectric control system, LED Indicator ,Door statue signal output contact, ultra-low temperature and power consumption design, anti-intrusion and smart circuit.

Product Parameter	Parameter Description
Feature	Fail Safe
Face Plate	150Lx40WX37H(mm)
Bolt	16(length)*13(diameter)(mm)
Voltage	DC12V(DC24V)
Start Current	960mA
Standby Current	180mA
Solid Bolt	polishing housing, 1000kg Holding Force
Suitable For	12mm Electric Bolt For Fully Frameless Glass Door
Signal Output	Door status Output,NC/COM
LED	Light on indicates locked, light off indicates unlocked
Surface Temp	Low Temperature
Induction Distance	8mm
Special Designed	Tested to 500000 operations
Face place material	Stainless Steel
Weight	1.36kg
Certificate	MA CE-EMC CE-LVD FCC-VOC REACH WEEE