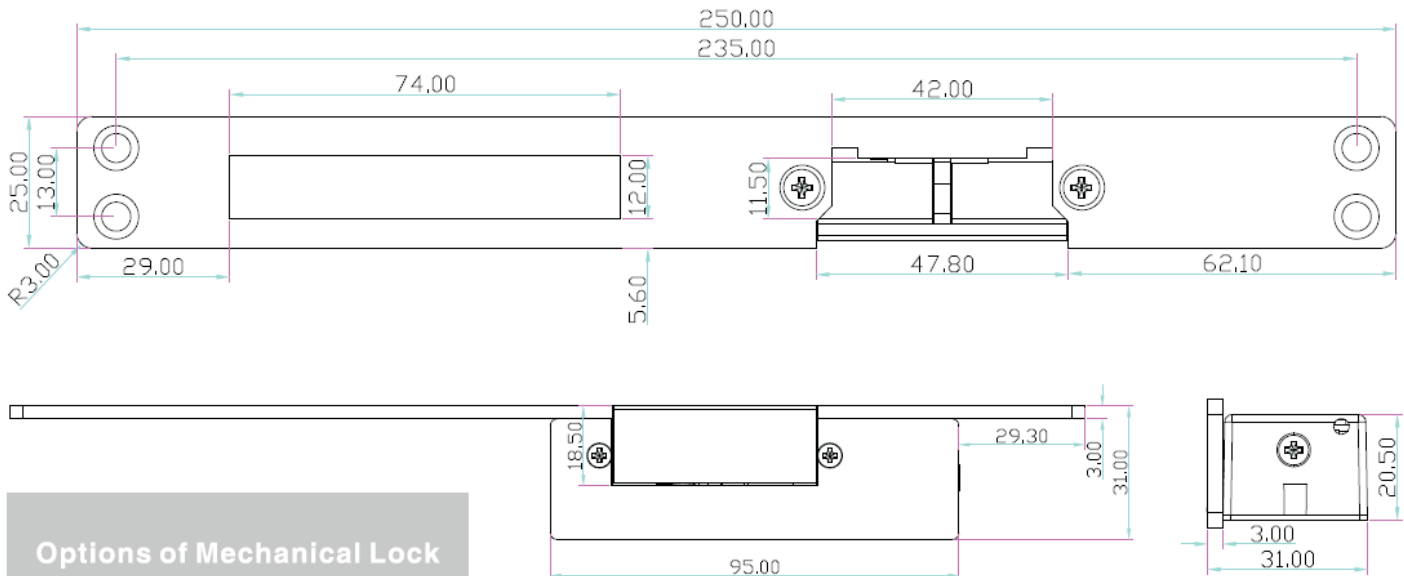


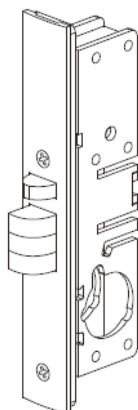
Specification

Size	250Lx25Wx31H(mm)
Voltage	12VDC
Current	200mA
Feature	Fail Secure(YS-132NO-S) Fail Safe(YS-132NC-S)
Suitable For	Wooden Door, Metal Door
Finishing	Electroplating
Weight	0.4kg

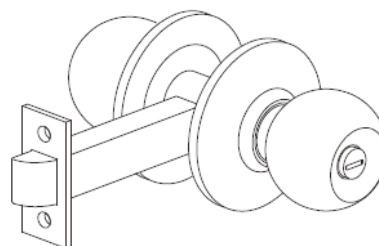
Diagram(unit:mm)



Options of Mechanical Lock

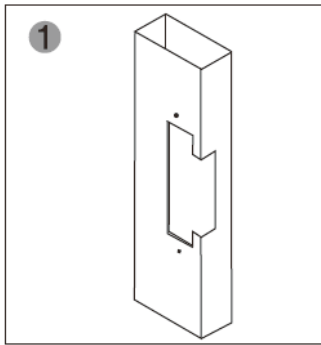


Mechanical Lock

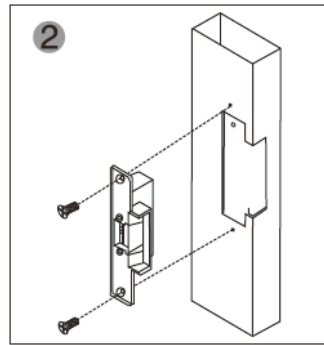


Knob lock

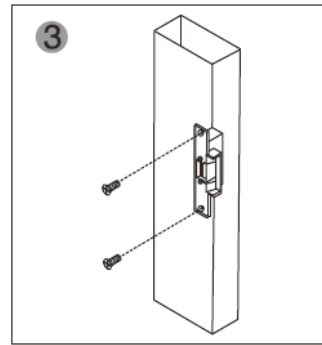
Installation



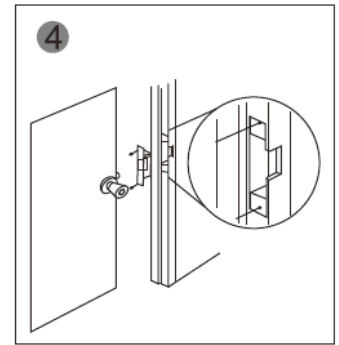
1 Cut hole according to the dimension of strike.



2 Assemble the lock and connect it to the power to test

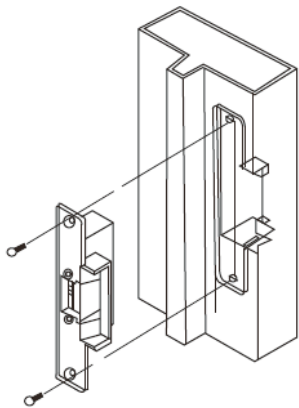


3 Fix the electric strike

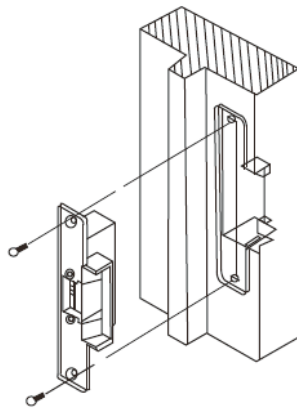


4 Finished

Suitable for

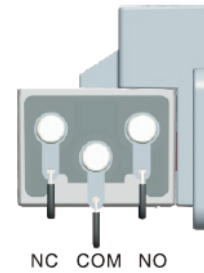
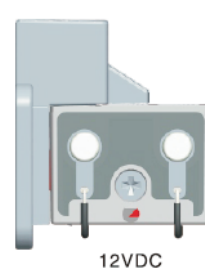


Metal Door Frame



Wooden Door Frame

- Black — +
 - Black — -
 - Green — NO
 - White — COM
 - Yellow — NC
- } N.C. contact output : closed status
 } Common terminal
 } N.O. contact output : closed status



Wire connection

