

# SKENER OTISKA & RFID ČITAČ: TAF1

SA TASTATUROM ZA PROGRAMIRANJE I „CODE“ IDENTIFIKACIJU  
SAMOSTALNI & WG (In/Out)

## NIŽE U ORIGINALU

### Fingerprint Touch-Screen Standalone Access Control

**Model No.:** TAF1: EM, HID, MF, CPU

This series of products is a new generation of multi-function standalone access control. It adopts a new ARM core 32-bit microprocessor design, which is powerful, stable, and reliable. It includes card reader mode and standalone touch screen access control mode etc.. Its widely applied to different occasions, such as offices, residential communities, villa, bank, and prison, etc..

### Features:

Read 125KHz EM / HID Card / 13.56MHz Mifare / CPU Card (Factory default: EM 125KHz)

Metal backlight keypad

Contains card reader mode. The transmission format could be adjusted by user.

Supports different access ways: Entry by Card + Code or Entry by multi cards

Support master added a card and deleted the card

User capacity: 10,000 users



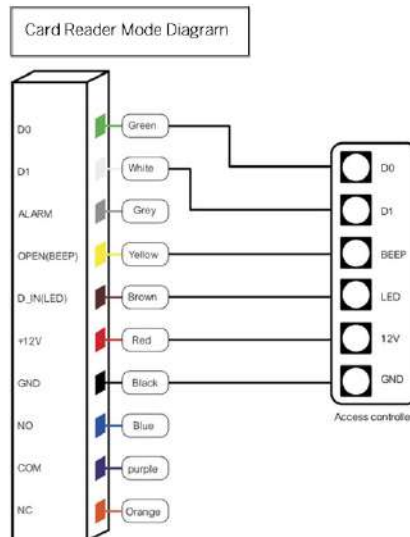
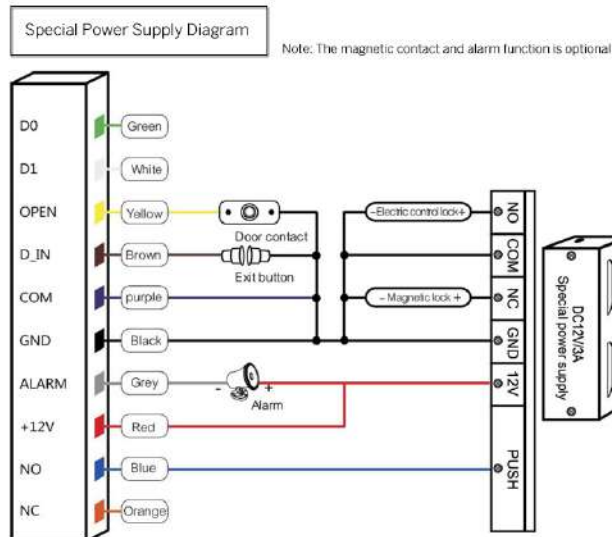
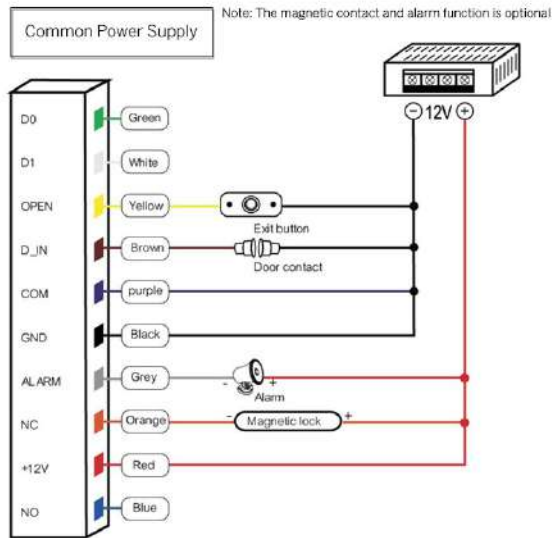
Card type	EM / HID / MF / CPU
User Capacity	10,000 users
Fingerprint Capacity	200
Operating Voltage	DC 12-24V
Standby Current	≤35mA
Operation Current	≤100mA
Operating Temperature	-40°C ~ 60°C
Operating Humidity	0% ~ 95%
Waterproof	IP68
Dimensions	139x70x22mm
Access ways	Fingerprint, card, code, or multiple combination method to access

## SLEDE SCHEME POVEZIVANJA (WIRING DIAGRAMS)



+381 11 355 7599  
+381 63 598 017  
office@aspekt.rs

WIRING DIAGRAM



  
 +381 11 355 7599  
 +381 63 598 017  
 office@aspekt.rs