

SAMOSTALAN ACC. KONTROLER

PART No: Sboard-III

NA KOJI SE MOŽE POVEZATI BILO KOJA „WIEGAND“ PERIFERIJ
ODNOSNO, RFID ČITAČ, SKENER OTISKA PRSTA, BARCODE SKENER ITD.

NIŽE, U ORIGINALU

Sboard-III Mini Control Board
999 users, user data can be transferred
Multi access modes: Card, Card or PIN, Card with
PIN and multi Cards/PINs
Can connect with any reader with Wiegand 26~44,
56, 58, 64 bits output
Can connect with any keypad reader with 4bits,
8bits (ASCII) output
12~28V AC/DC power input, 12V DC output
Can connect with external alarm and door contact



TECHNICAL SPECIFICATION

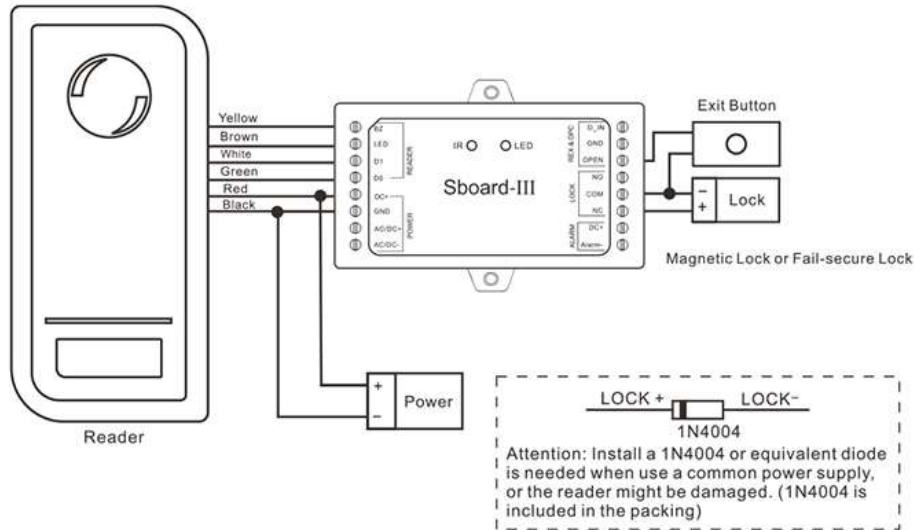
| | |
|------------------------------|-----------------------------------|
| S4A Model | Sboard-III |
| Product Name | Mini Control Board |
| User Capacity | 999 |
| Operating Voltage | 12~28V AC/DC |
| Idle Current | < 20mA |
| Relay | One (NO, NC, Common) |
| Adjustable Relay Output Time | 0~300 Seconds (5 seconds default) |
| Lock Output Load | 2 Amp Maximum |
| Wiegand Input | Wiegand 26~44, 56, 58, 64 bits |
| Environment | Indoor |
| Operating Humidity | 0 ~ 90%RH |
| Physical | ABS Shell |
| Colour | Black |
| Dimensions | L91 x W48 x D20 (mm) |
| Unit Weight | 0.1KG |
| Standard Package | 82PCS/carton |
| Carton Weight | 8.2KG |
| Carton Size | 34*40*33.5 (cm) |



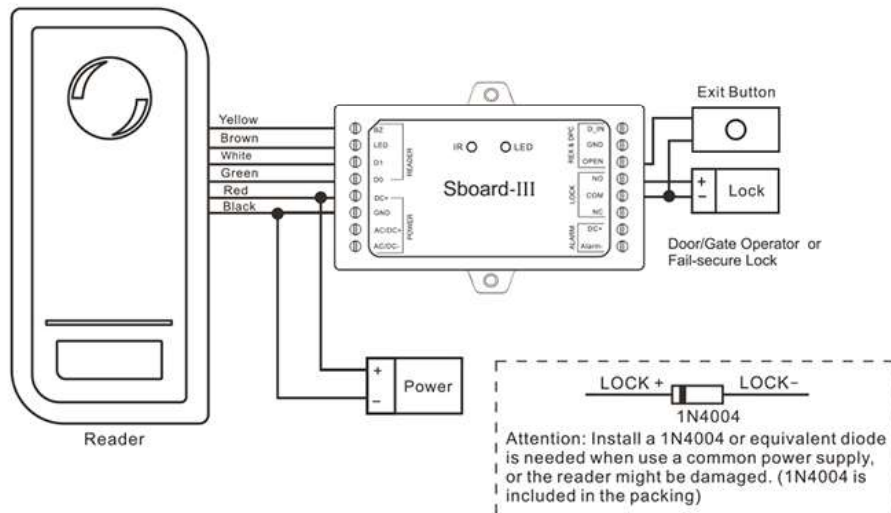
+381 11 355 7599
+381 63 598 017
office@aspekt.rs

Wiring Diagram

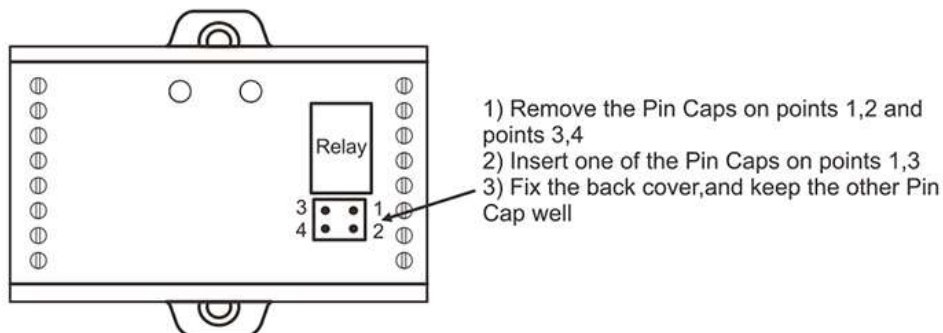
Magnetic Lock or Fail-Safe Lock



Door/Gate Operator of Fail-Safe Lock



When User NO/NC/COM Dry Contact Output



Remark:
The power supply's voltage must be the same with lock's supply voltage, or else, the lock will not work properly or be damaged.



+381 11 355 7599
+381 63 598 017
office@aspekt.rs