

SAMOSTALAN ACC. KONTROLER

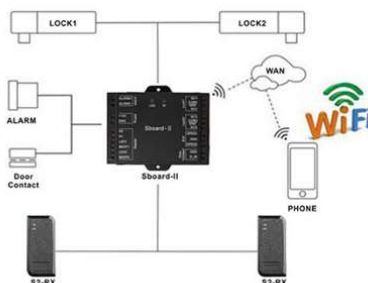
PART No: Sboard-II-WIFI

NA KOJI SE MOŽE POVEZATI BILO KOJA „WIEGAND“ PERIFERIJ
ODNOSNO, RFID ČITAČ, SKENER OTISKA PRSTA, BARCODE SKENER ITD.



Communicate with mobile by Wifi/GPRS

APP Download available for both Android and iOS version, by searching WiControl



Appliaction

2 relays, 2100 users



SLEDI, U ORIGINALU



+381 11 355 7599
+381 63 598 017
office@aspekt.rs

NIŽE, U ORIGINALU

Sboard-II Wifi mini Access Controller

2,100 users, user data can be transferred
 Multi access modes: Card, Card or PIN, Card with PIN and multi Cards/PINs
 Can connect with any reader with Wiegand 26~37 bits output
 Can connect with any keypad reader with 4bits, 8bits (ASCII), or 10bits Virtual number output
 Support Master Card function
 Support set principal card
 Can communicate with mobile by Wifi/GPRS
 Remotely open the door within your home network or remote from anywhere you can get internet access with your smartphone or tablet

TECHNICAL SPECIFICATION

Product Parameter	Parameter Description
S4A Model	Sboard-II WiFi
Product Name	Wifi Access Controller
User Capacity	2100
Zone 1	2000
Zone 2	100
Operating Voltage	9~24V DC
Idle Current	<30ma
Idle Current (With Wifi)	<100Ma
Adjustable Relay Output Time	1~99 Seconds (5 seconds default)
Lock Output Load	5 Amp Maximum
Wiegand Input	Wiegand 26~37 bits
Wiegand Output	Wiegand 26~37 bits (for user transfer)
Environment	Indoor
Operating Temperature	-40°C ~ 60°C (-40°F ~ 140°F)
Operating Humidity	0~90%RH
Physical	ABS Shell
Colour	Black
Dimensions	L100 x W86 x D26(mm)
Unit Weight	0.1KG
Standard Package	54PCS/carton
Carton Weight	9.5KG
Carton Size	34*40*33.5 (cm)

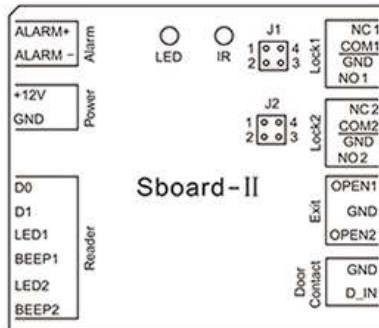
WIRING DIAGRAM



+381 11 355 7599
 +381 63 598 017
 office@aspekt.rs

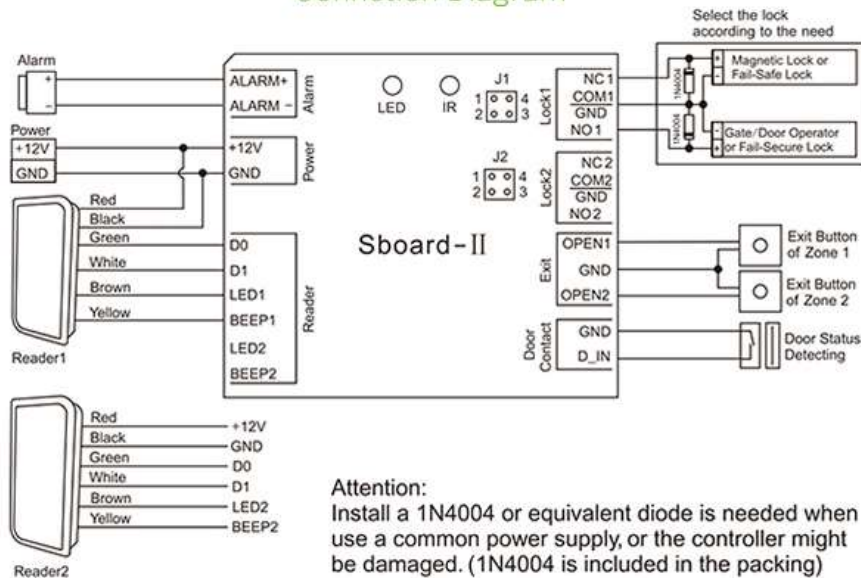
Wiring Diagram

When User NO/NC/COM Dry Contact Output



- 1) Remove the Pin Caps on points 1, 2, 3, and 4 (Remark: J1 (Relay 1) & J2 (Relay 2) , please check the relay you are using)
- 2) Insert one of the Pin Caps on point 1 and point 4
- 3) Fix the back cover, and keep the other Pin Cap well

Connction Diagram

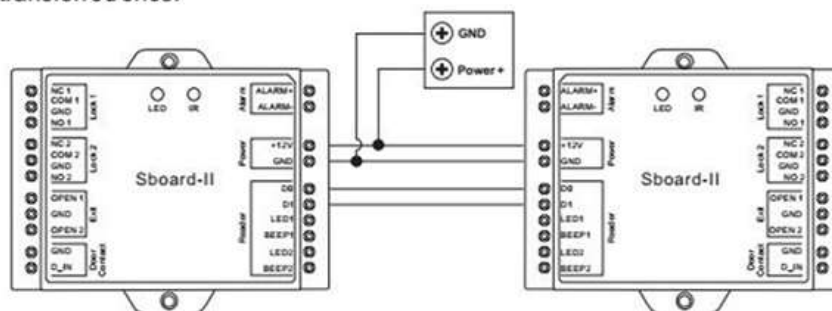


Attention:
Install a 1N4004 or equivalent diode is needed when use a common power supply, or the controller might be damaged. (1N4004 is included in the packing)

User Transfer

User Information Transfer

The Sboard-II supports the User Information Transfer function, and the enrolled user (cards, PINs) can be transferred from one (let's name it Master Unit) to another (let's name it Accept Unit). Maximum 10pcs Accepts Units can be transferred once.



+381 11 355 7599
+381 63 598 017
office@aspekt.rs