

SKENER OTISKA & RFID ČITAČ: FA601

SAMOSTALNI + WG (In/Out)

NIŽE U ORIGINALU

Fingerprint Touch-Screen Standalone Access Control

Model No.: FA601: EM (factory default), HID, MF, CPU



TWO METHODS

10,000 card users and 300 fingerprint users



+381 11 355 7599
+381 63 598 017
office@aspekt.rs

TEHNIICAL SPECIFICATION

The series of product is a new generation of multi-functional standalone access control. It adopts new ARM core 32-bit microprocessor design, which is powerful, stable and reliable. It contains reader mode and standalone access control mode etc. It's widely applied to different occasions, such as office, residential communities, villa etc.

Fingerprint Reader Access Control System with Relay NO/NC/COM Output

Card type: EM, HID, MF, CPU Card; (Factory default: EM 125KHz)

Operate by infrared remote

10,000 card users and 300 fingerprint users

Relay NO/NC/COM output

Fingerprint Standalone Access Controller

Model No.: F601 EM, HID, MF, CPU

Contain reader mode, the transmission format could be adjusted by users.

Support multi-access ways: Card + Fingerprint, multi cards or multi fingerprints

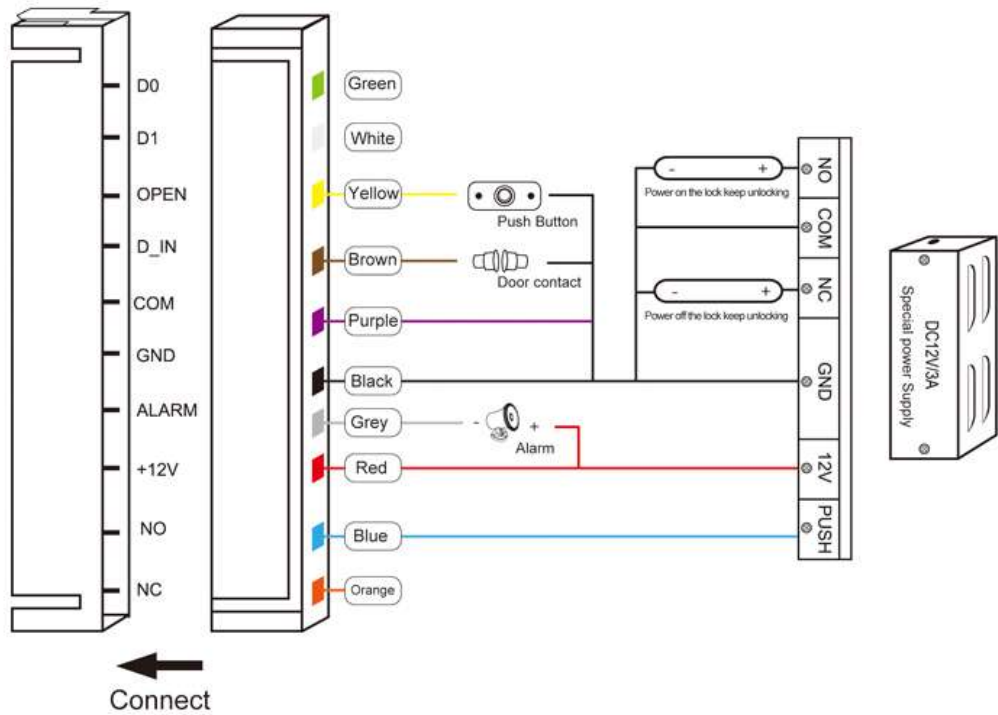
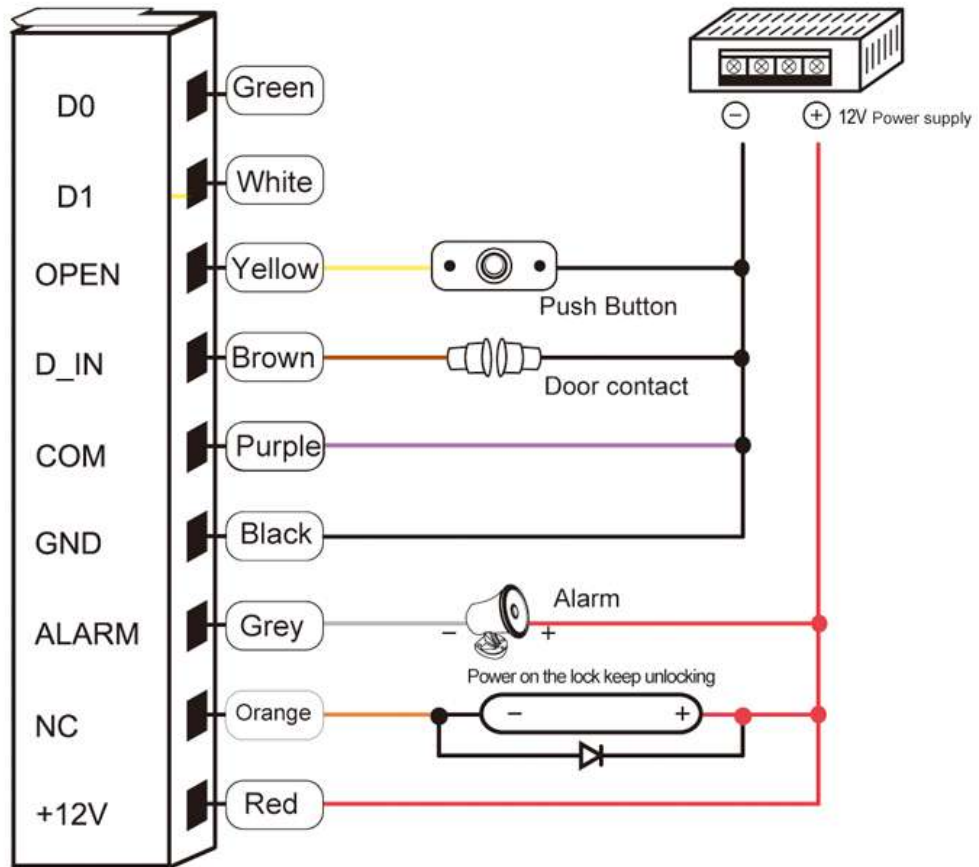
Support admin card/admin fingerprint

Relay NO/NC/COM output

Card type	EM / HID / MF / CPU
User Capacity	10,000 card
Fingerprint Capacity	300
Operating Voltage	DC 12-24V
Standby Current	≤35mA
Operating Current	≤100mA
Operating Temperature	-20°C~60°C
Operating Humidity	0%~95%
Electric lock signal relay contact current	≤1A
Alarm signal MOS tube output current	≤1A
Unlocking time	0~300s adjustable
Size	118x56x22mm

NEXT: WIRING DIAGRAM

+381 11 355 7599
+381 63 598 017
office@aspekt.rs





 +381 11 355 7599
 +381 63 598 017
 office@aspekt.rs