

# SAMOSTALAN ACC. KONTROLER

## PART No: Controller-Tuya

NA KOJI SE MOŽE POVEZATI BILO KOJA „WIEGAND“ PERIFERIJ  
ODNOSNO, RFID ČITAČ, SKENER OTISKA PRSTA, BARCODE SKENER ITD.

### NIŽE, U ORIGINALU

- Controller-Tuya
- 12V DC power input
- One relay, 1000 users
- Wiegand 26~44, 56, 58bits input
- Can connect with external alarm and door contact
- 500 APP users
- iOS and Android available
- Add / Delete users by APP (Card users available only)
- Can set Time Restriction for users
- Temporary Password (One-time Or Period Code)
- Support checking Opening Record
- Remotely Access (Support 3G/4G/5G)
- Doorbell Call Notice (Support External Door Bell)



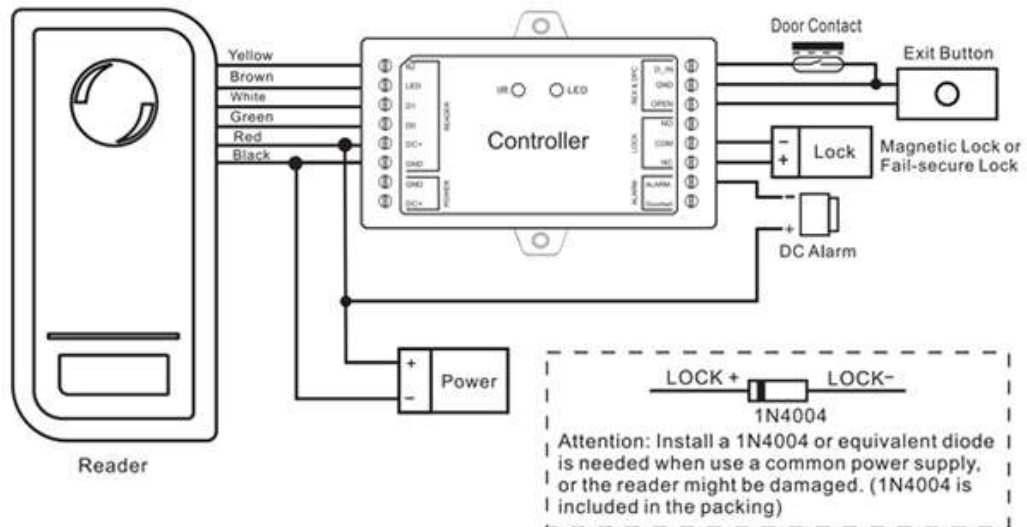
### TECHNICAL SPECIFICATION

Model	Controller-Tuya
Product Name	Tuya WiFi Mini Controller
User Capacity	Hardware User: 1000      APP User: 500
Common User	987 PIN/Card Users)
Authorized User	1
Visitor User	10
Panic User	2
Operating Voltage	12V DC
Idle Current	≤ 100mA
Active Current	≤ 150mA
Wiring Connections	Relay output, exit button, alarm, door contact, Wiegand input
Relay	One (NO, NC, Common)
Adjustable Relay Output Time	0~99 Seconds (5 seconds default)
Lock Output Load	2 Amp Maximum
Wiegand Interface Input	Wiegand 26~44, 56, 58bits
Environment	Indoor
Operating Humidity	0~90%RH
Physical	ABS Shell
Colour	Black
Dimensions	L91 x W48 x D20 (mm)
Unit Weight	63g
Shipping Weight	73g

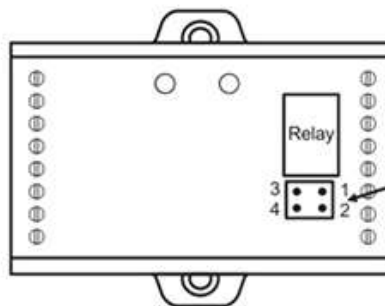
  
 +381 11 355 7599  
 +381 63 598 017  
 office@aspekt.rs

**WIRING DIAGRAM**

**Connection Diagram**



**When Use NO/NC/COM Dry Contact Output**



- 1) Remove the Pin Caps on points 1,2 and points 3,4
- 2) Insert one of the Pin Caps on points 1,3
- 3) Fix the back cover, and keep the other Pin Cap well

**Remark:**

The power supply's voltage must be the same with lock's supply voltage, or else, the lock will not work properly or be damaged.


  
 +381 11 355 7599  
 +381 63 598 017  
 office@aspekt.rs