



RFID ČITAČ – SAMOSTALAN

PART No: ASA-TS21B-MF; ASA-TS21B-MF

NIŽE, U ORIGINALU

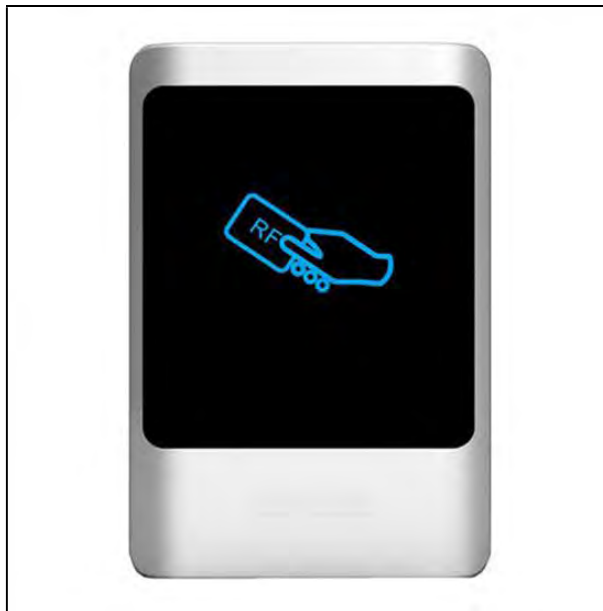
Outdoors RFID Access Controller

Card Type: MF or MF Card

Waterproof degree: IP65

Capacity: 15,000 users

Working frequency: 125KHz or 13.56MHz

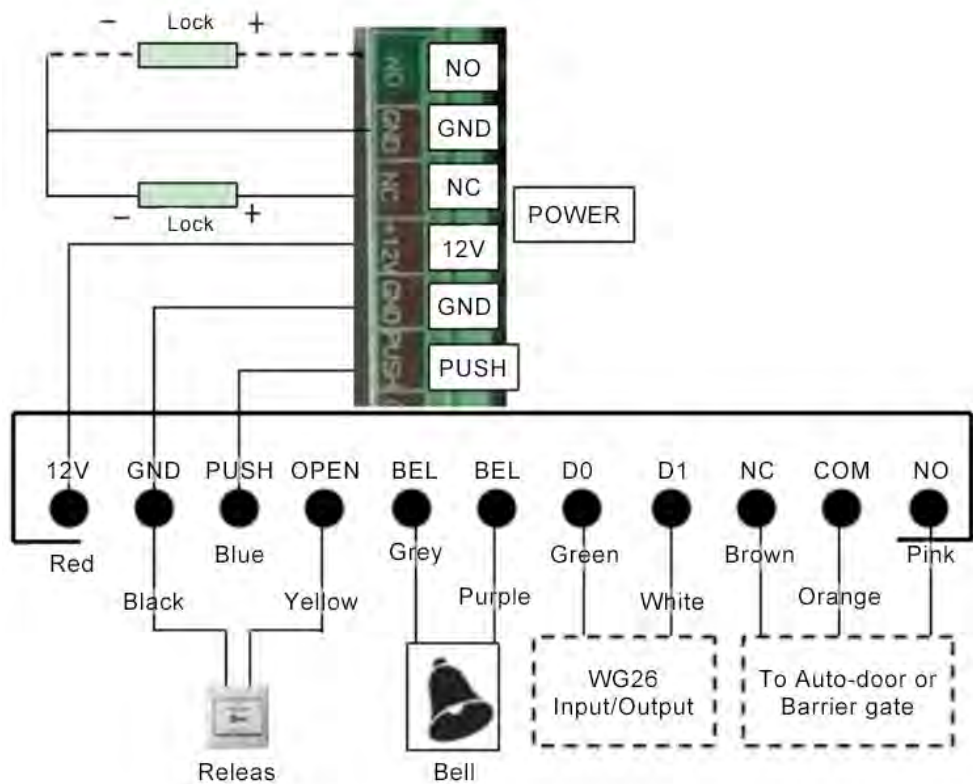


Card type	EM or MF
Working frequency	125KHz or 13.56MHz
Capacity	15,000 users
Waterproof degree	IP65
Card reading distance	1-15cm
Operating voltage	DC12V ±10%
Operating current	<100mA
Ambient temperature	0°C~60°C
Relative humidity	20%~80%
Dimensions	125×84×23mm
Weight	350g



+381 11 355 7599
+381 63 598 017
office@aspekt.rs

Dimensions(mm)



+381 11 355 7599
+381 63 598 017
office@aspekt.rs