



RFID ČITAČ – SAMOSTALAN

PART No: ASA-TS21-MF; ASA-TS21-MF

NIŽE, U ORIGINALU

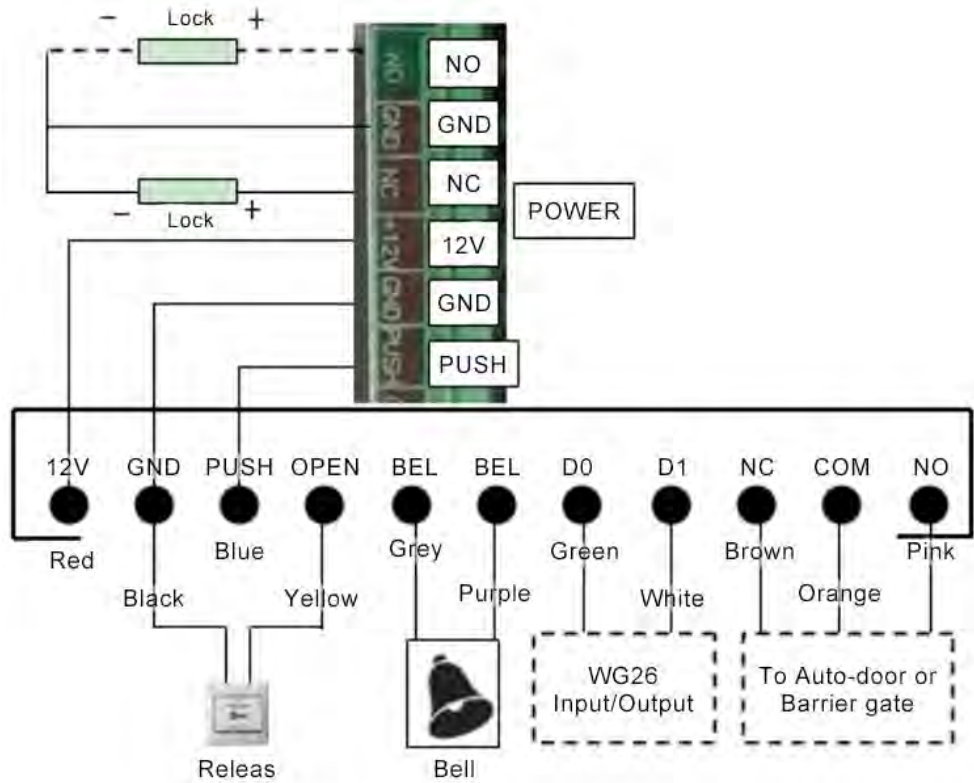
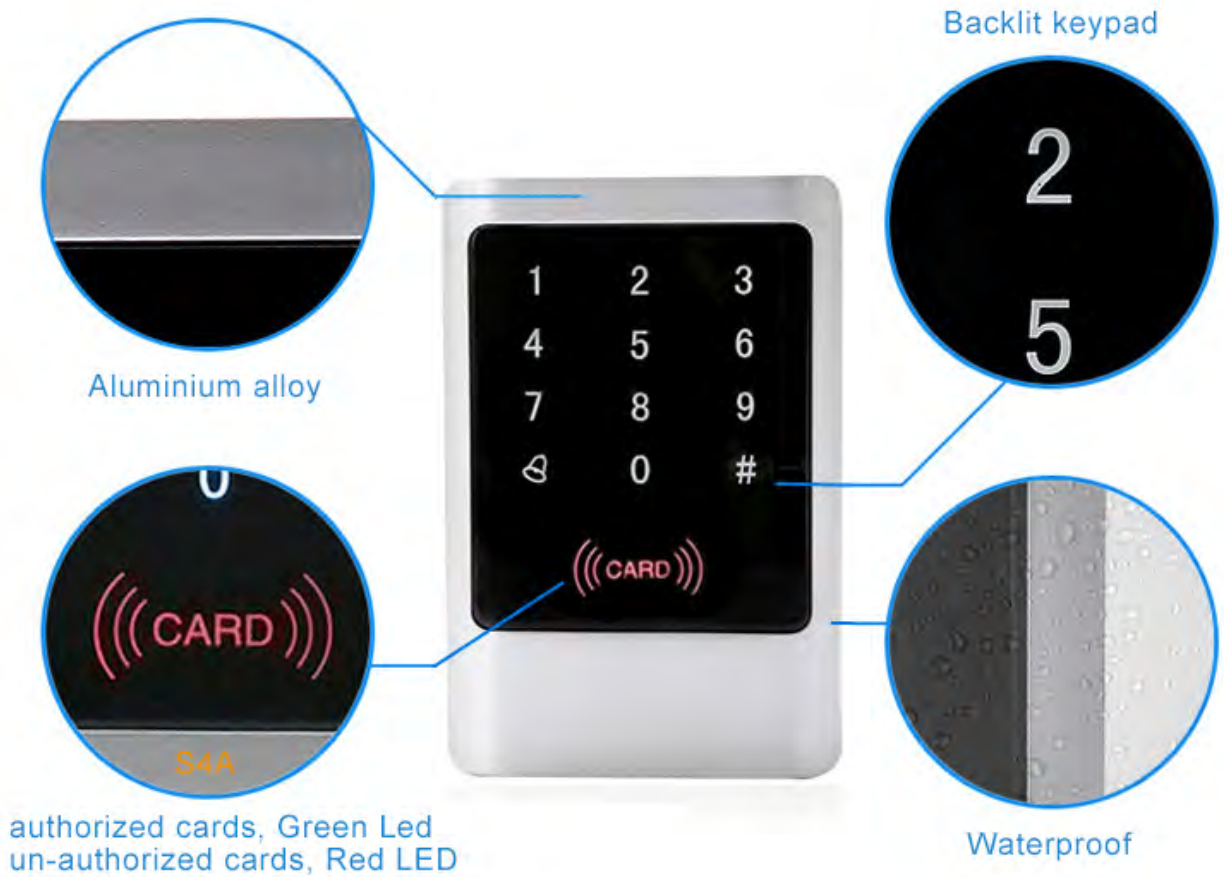
IP65 Metal Touch Display RFID Access Controller
 Card Type: MF or MF Card
 Waterproof degree: IP65
 Capacity: 1000 user
 Working frequency: 125KHz or 13.56MHz
 Wiegand Input and Output



Card type	EM or MF
Working frequency	125KHz or 13.56MHz
Capacity	1000 user
Waterproof degree	IP65
Card reading distance	1-15cm
Operating voltage	DC12V ±10%
Operating current	<100mA
Ambient temperature	-20°C~70°C
Relative humidity	20%~80%
Dimensions	125×84×23mm
Weight	300g



+381 11 355 7599
 +381 63 598 017
 office@aspekt.rs



+381 11 355 7599
+381 63 598 017
office@aspekt.rs