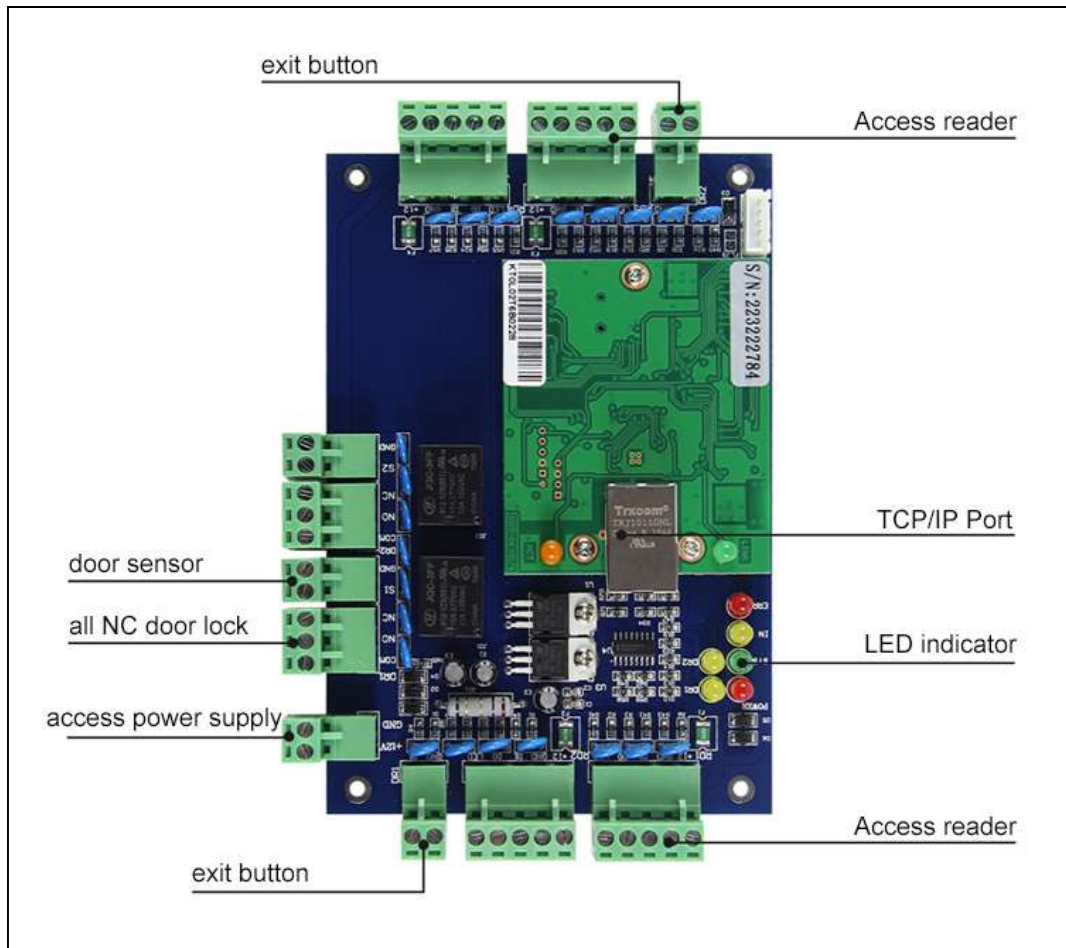
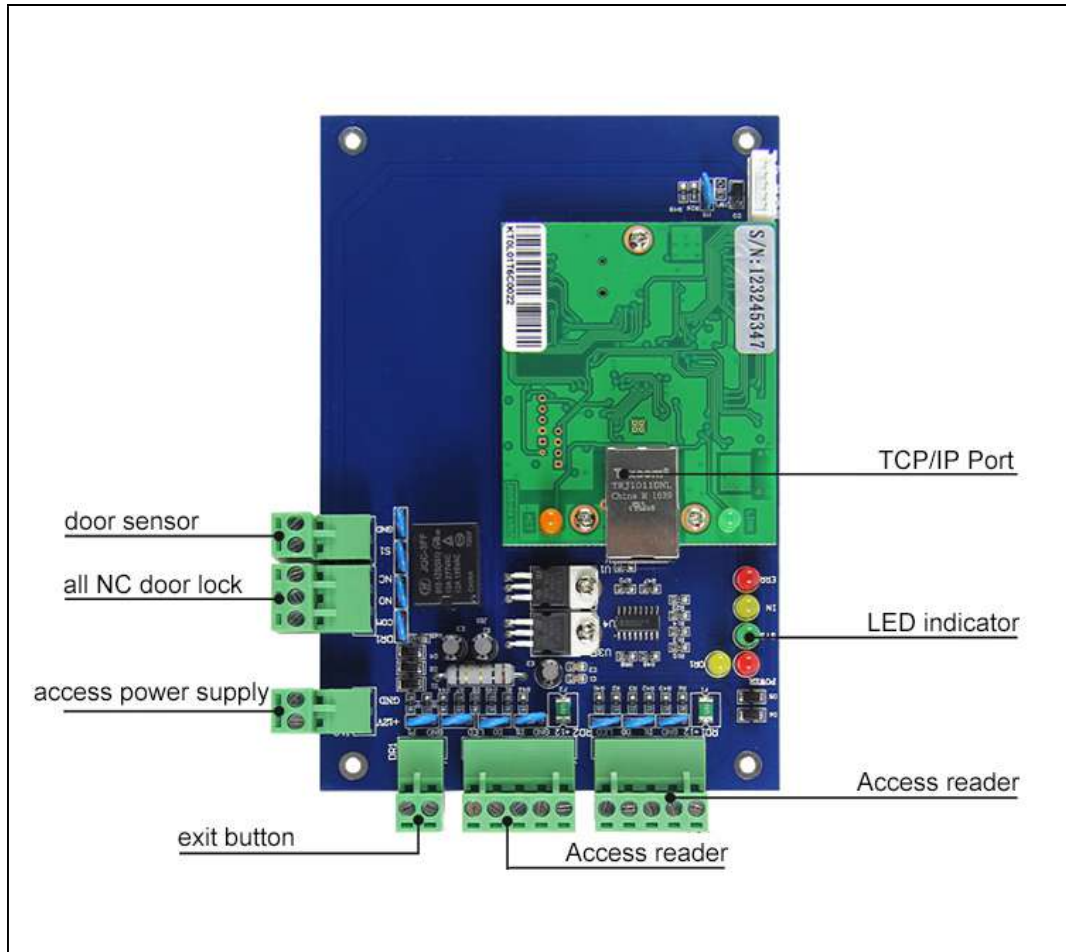


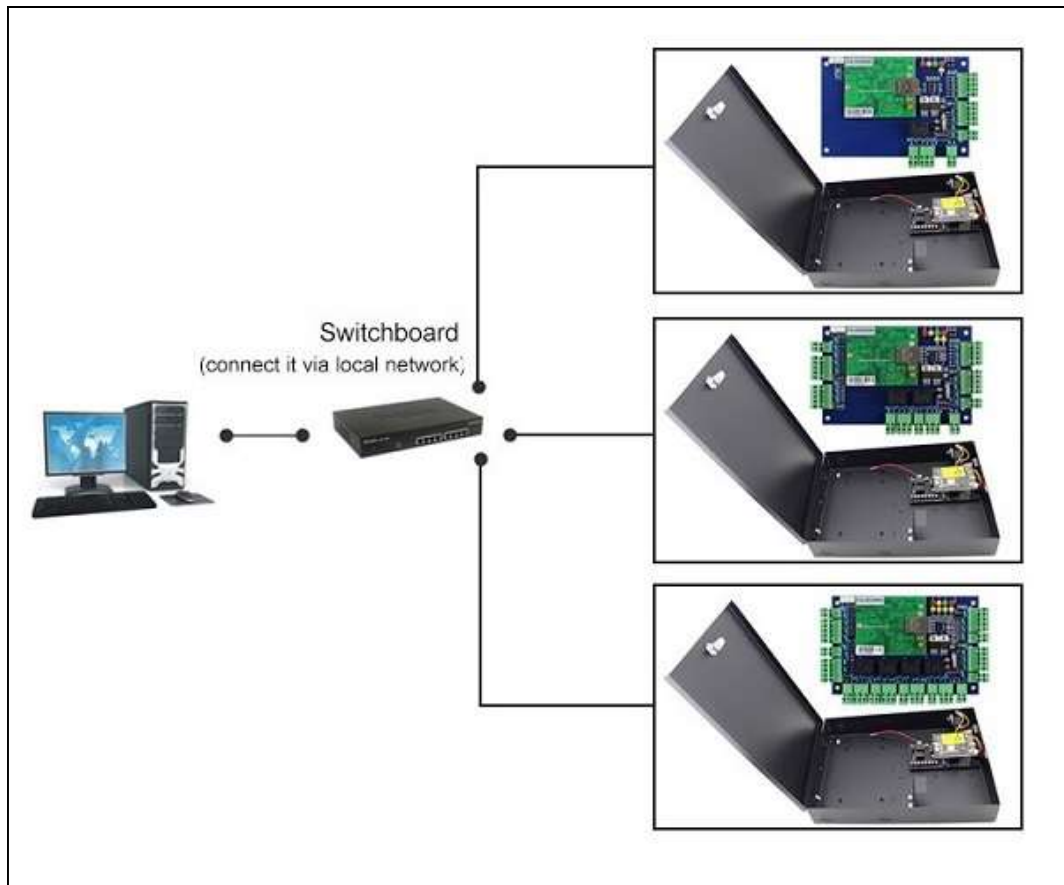
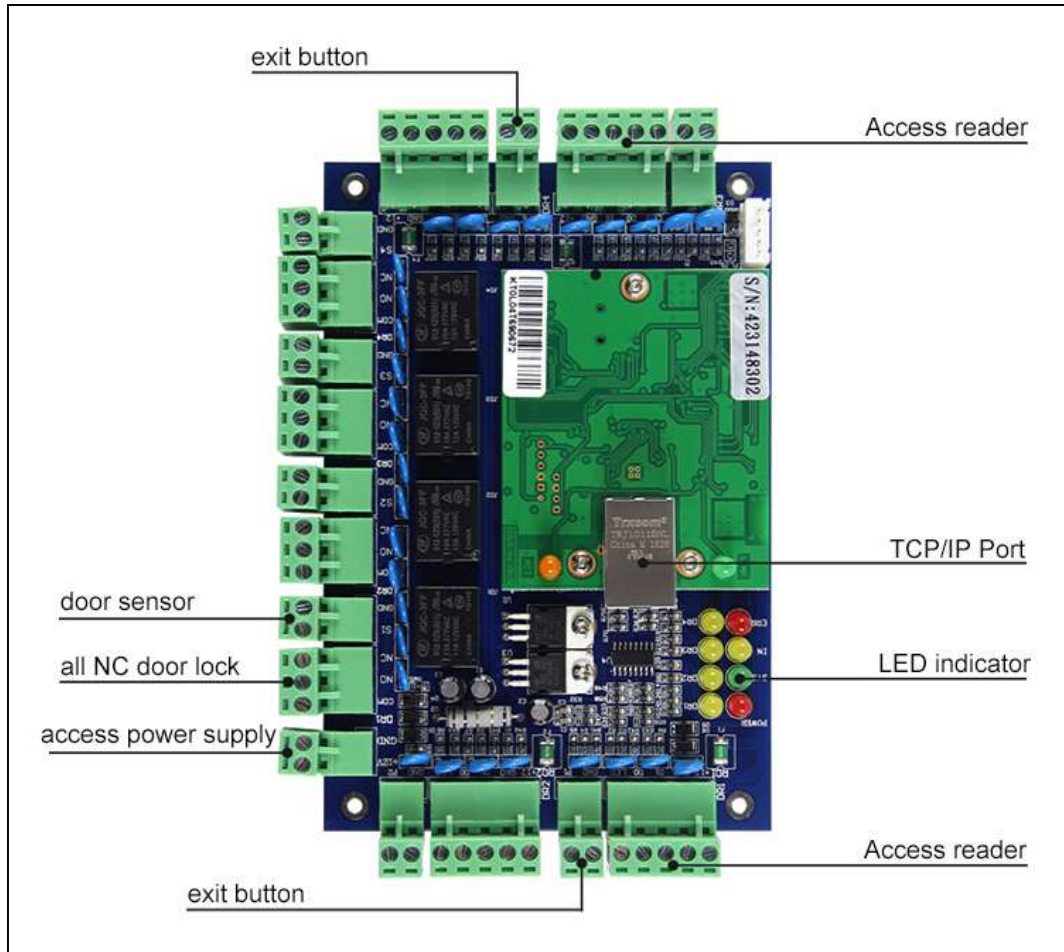
ACC. KONTROLERI, Garancija: 5 godina



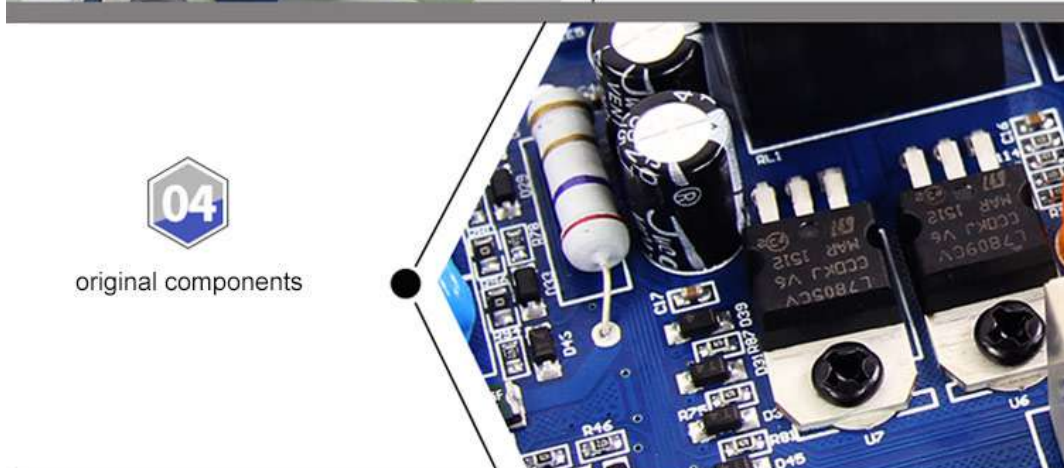
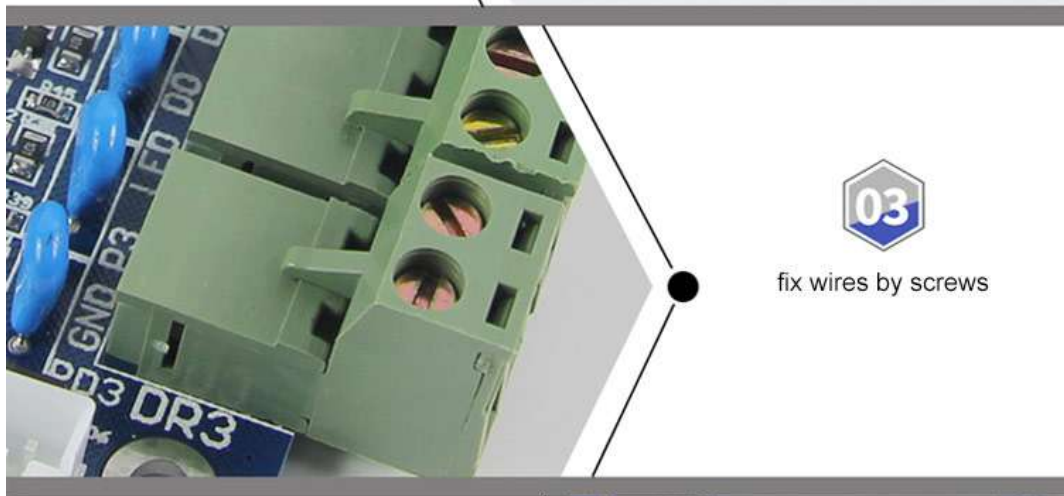
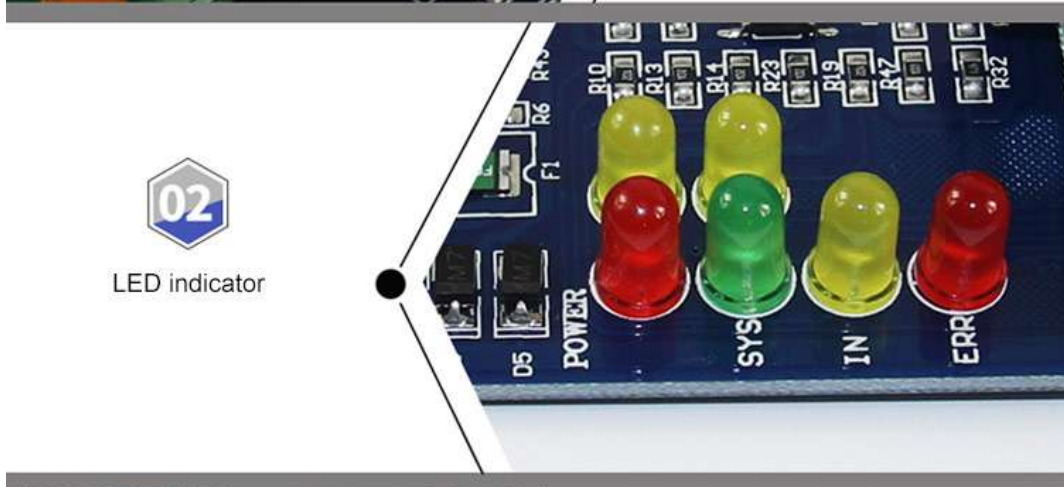
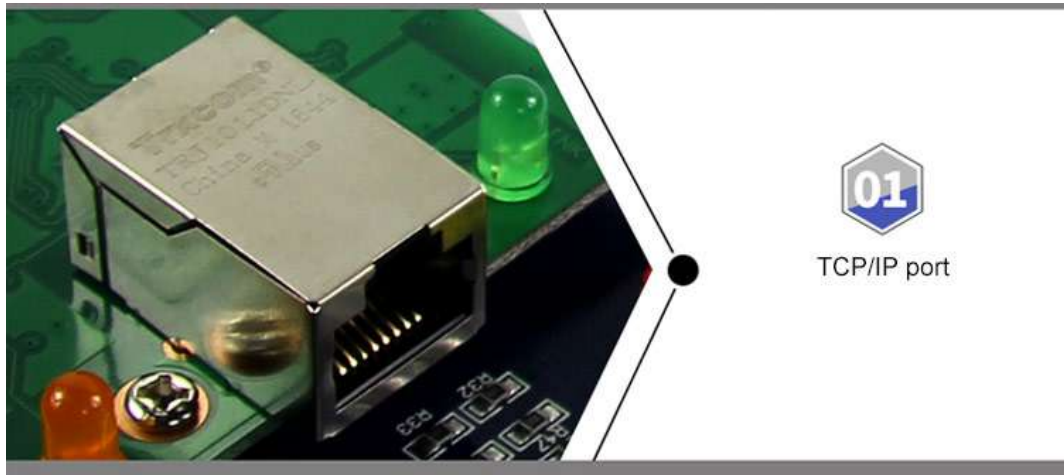
Parameter	Single Door Control Panel	Multi Door (2) Control Panel	Multi Door (4) Control Panel
Model #	ACAB-001	ACAB-002	ACAB-004
Communication	TCP/IP 10M/100M adaptive	TCP/IP 10M/100M adaptive	TCP/IP 10M/100M adaptive
Size of PCB board	160mm*106mm	160mm*106mm	160mm*106mm
Size of Case	273mm*228mm*65mm		
Power Supply	12VDC 4-7A		
Power Consumption of Circuit Board	Less than 100mA		
Input Format of Reader	Wiegand 26 (All card reader with compatible protocol, such as Motorola, HID, EM, Mifare one, etc)		
Quantity of Readers	2 pcs	4 pcs	4 pcs
Door Controlled	1 door	2 doors	4 doors
Door opening time extending setting	1-600 seconds(adjustable)		
Max q ' ty of controller	No limit		
Operation Temperature	-40°C~70°C		
Operation Humidity	10-90 % RH , No Condensation		
Q ' ty of users	20,000 Users		
Q ' ty of Event Buffers(offline)	100,000 event buffers		
Power interruption protection measure	High-Speed Memory, Records never lose		
Max Distance from Reader to Controller	100m (suggestion distance 80m)		
Max Distance between Controllers	TCP/IP: Depends on net coverage area		
Package included:	PCB board, software, manual, certificate. carton		
Alarm for long time door open, illegal break-in, intimidate	Yes		
Fire and alarm linkage	If no connection with the expansion board, only has a software interface alarm and drives the computer speaker. If connected with an expansion board, is able to alarm by hardware, if connected with a strengthened expansion board, then is able to Security alarm, Model is ACB-EA05		
A Compulsive open and close door at a long time	Yes		
Open door in the remote distance	Yes		
Interlock	No	Yes	Yes
Anti pass back and tail	Yes	Yes	Yes
Multi-card open door	Yes		
Open a long time at a specified time	Yes		
Electronic map	Yes		
Urgency locking	Yes		
First card unlocking	Yes		
Unlock based on internal and external validation	Yes		
Keypad (card+passwor, supper password)	Yes		



+381 11 355 7599
+381 63 598 017
office@aspekt.rs

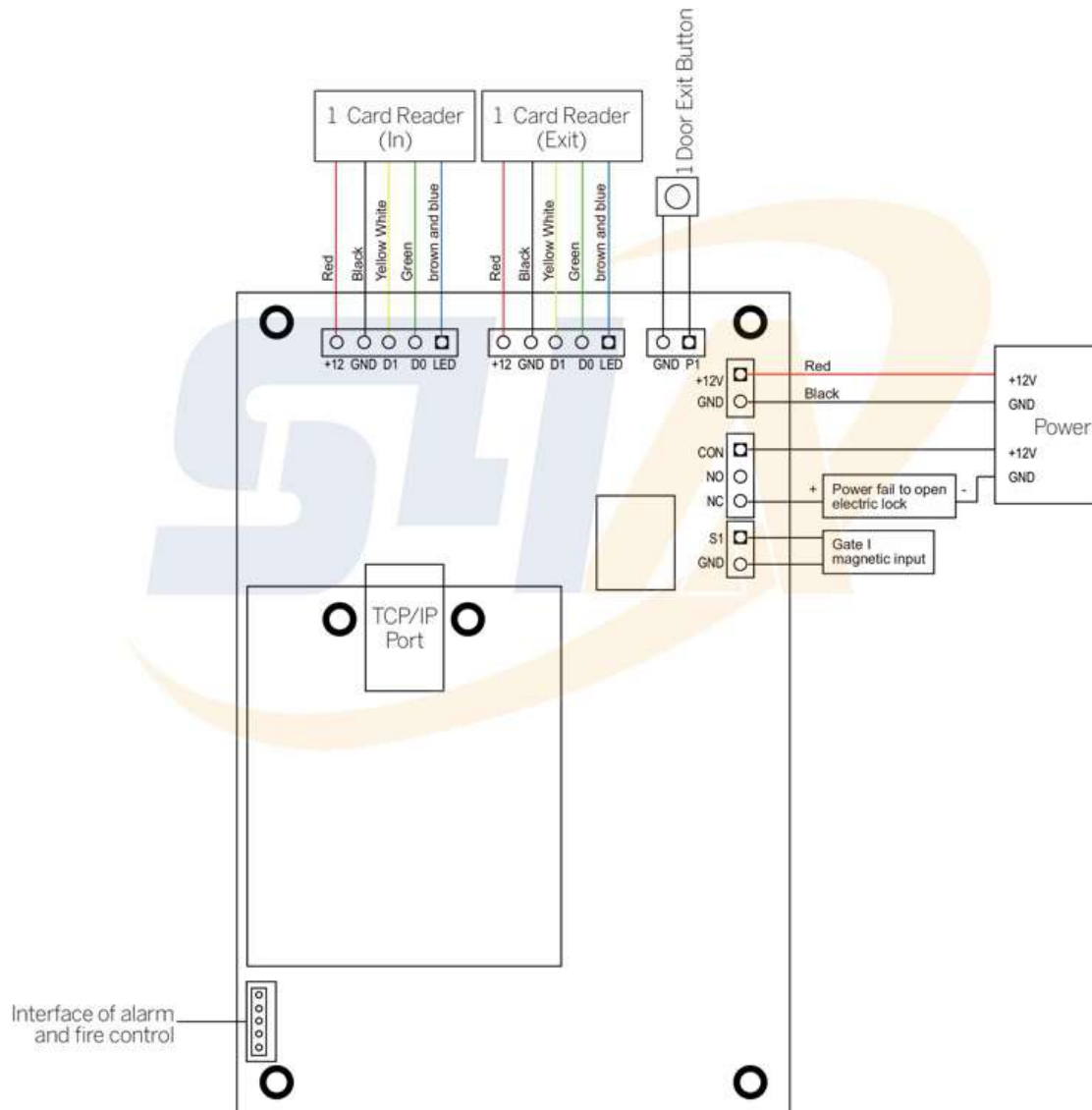


+381 11 355 7599
+381 63 598 017
office@aspekt.rs



+381 11 355 7599
+381 63 598 017
office@aspekt.rs

KABLIRANJE: ACAB-001



Wiring standard

(Even the connection distance is very short, it must be implemented according to the following requirement)

+220V AC Power cable:

The-wire power supply, the cross-sectional area 1.0mm or more. It's required that power supply must be grounded to prevent from power interference

+The line of electric lock to controller:

It's recommended to use two-wire power line, the cross-sectional area 1.0mm² or more. If the distance over 50 meters, it's considered to use thicker line or multiple parallel

+TCP/IP Communication Line:

Network cable

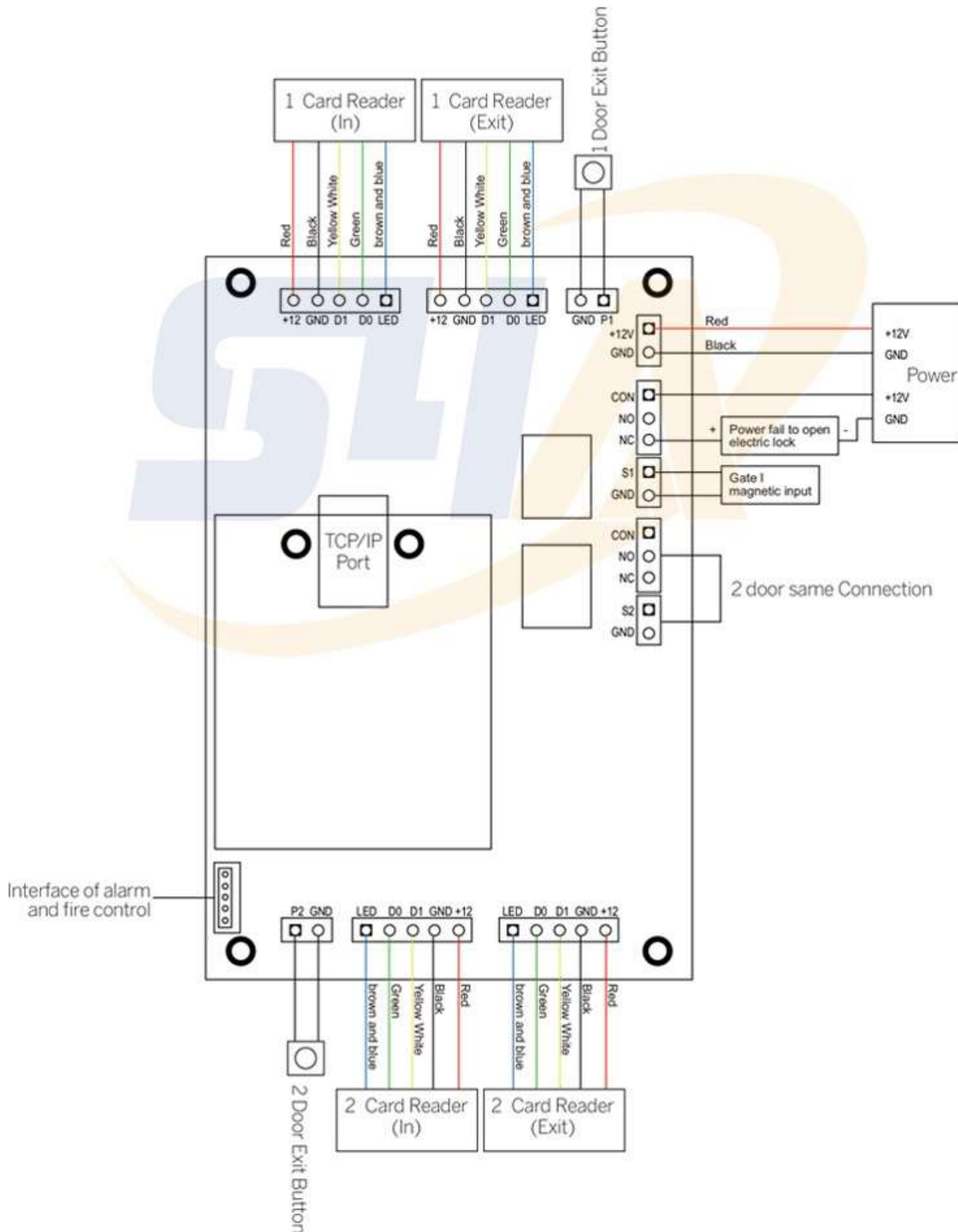
+The card reader, door sensor and button line:

Can use network cable or others



+381 11 355 7599
+381 63 598 017
office@aspekt.rs

KABLIRANJE: ACAB-002



Wiring standard

(Even the connection distance is very short, it must be implemented according to the following requirement

+220V AC Power cable:

The-wire power supply, the cross-sectional area 1.0mm or more. It's required that power supply must be grounded to prevent from power interference

+The line of electric lock to controller:

It's recommended to use two-wire power line, the cross-sectional area 1.0mm² or more. If the distance over 50 meters, it's considered to use thicker line or multiple parallel

+TCP/IP Communication Line:
Network cable

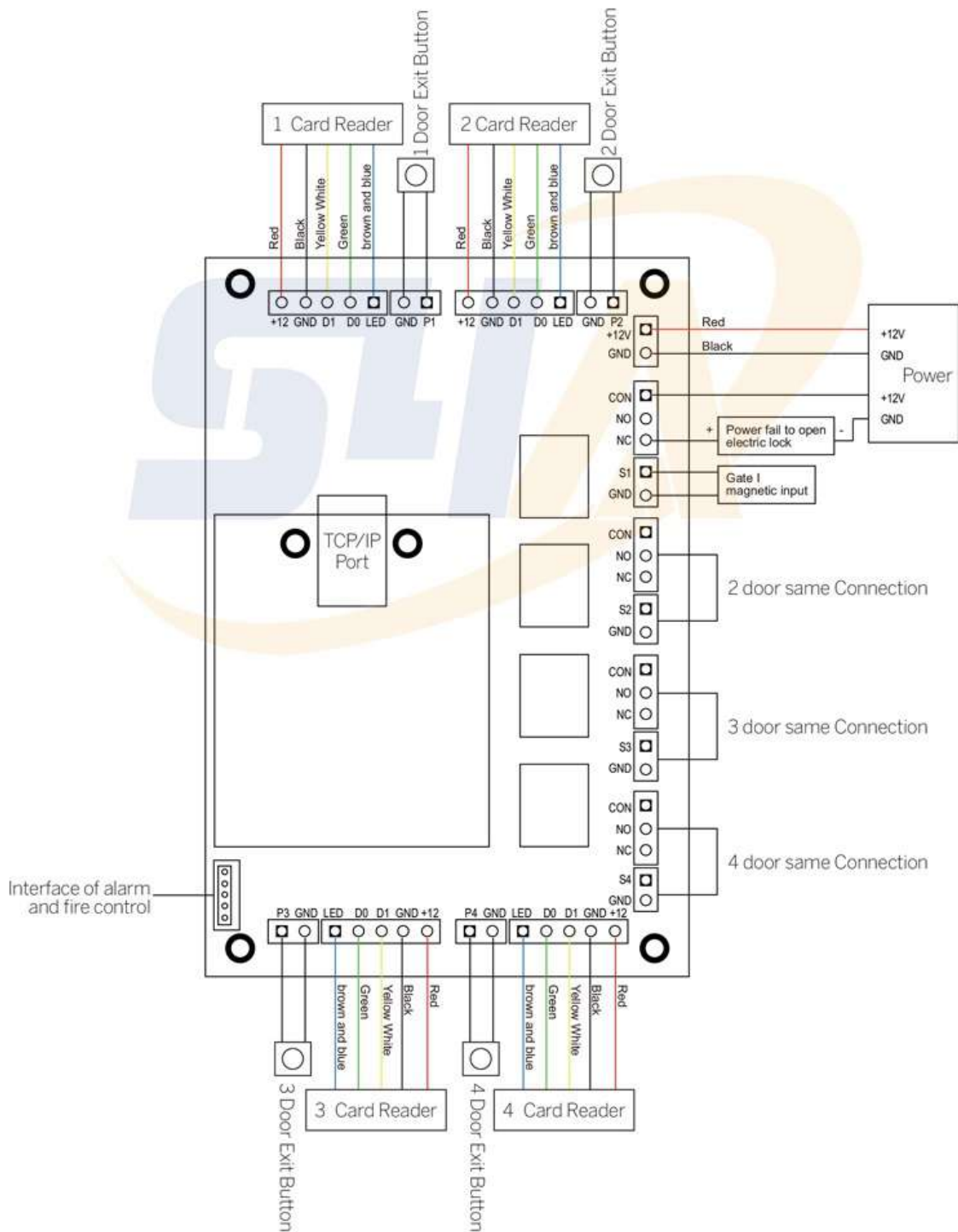
+The card reader, door sensor and button line:
Can use network cable or others



+381 11 355 7599
+381 63 598 017
office@aspekt.rs

Ništa nije

KABLIRANJE: ACAB-004



Wiring standard

(Even the connection distance is very short, it must be implemented according to the following requirement

+220V AC Power cable:

The-wire power supply, the cross-sectional area 1.0mm or more. It's required that power supply must be grounded to prevent from power interference

+The line of electric lock to controller:

It's recommended to use two-wire power line, the cross-sectional area 1.0mm² or more. If the distance over 50 meters, it's considered to use thicker line or multiple parallel

+TCP/IP Communication Line:
Network cable

+The card reader, door sensor and button line:
Can use network cable or others



+381 11 355 7599
+381 63 598 017
office@aspekt.rs

Ništa nije