



BESKONTAKTNI "EXIT" TASTERI

SA I BEZ OŽIĆENJA (BATERIJE)

ŠIFRA DELA: A4A-505; A4A-505W; A4A-505MHW

BATERIJE TRAJU OKO 220 DANA, AKO JE INTENZITET KORIŠĆENJA CCA: 200 PUTA DNEVNO



Standby blue light flashes slowly

Induction red light flashes quickly



+381 11 355 7599
+381 63 598 017
office@aspekt.rs

THREE OPTIONS

Wired, one for one (wireless), one for two (wireless)



Wired



one for one (wireless)



one for two (wireless)

A4A-505 – SA OŽIČENJEM

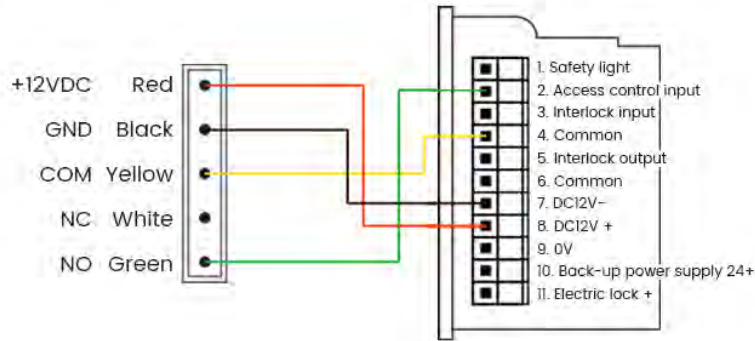
Input power	AC/DC12-24V
Action current	29mA (when DC12V power supply)
Quiescent current	21mA (when DC12V power supply)
Dimensions	86X86mm
Capacitive sensing distance	5cm
Relay output	Normally open normally closed
Relay contact capacity	1A 24VDC

A4A-505MH – SA OŽIČENJEM

Power supply (transmitter)	AC/DC 12-24V
Action current	42mA (when DC12V power supply)
Quiescent current	7.3mA (when DC12V power supply)
Relay output	Normally open/normally closed
Relay contact capacity	DC24V 1A
Infrared modulation frequency	38KHz
Response time	30ms
Infrared sensing distance	3~17cm adjustable
Working temperature	-42°C~45°C
Working humidity	10~90%RH
Appearance size	86x86mm (Panel)



+381 11 355 7599
+381 63 598 017
office@aspekt.rs

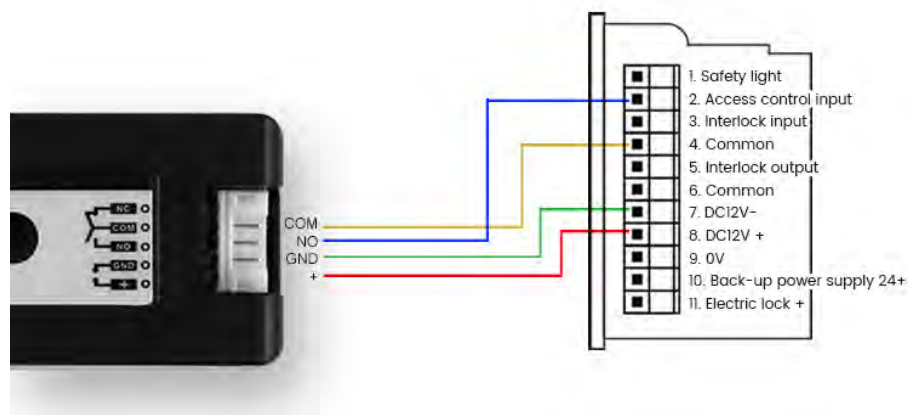


A4A-505W – BEŽIČNO (BATERIJE)

Input power	AC/DC12-30V
Action current	74mA (when DC12V power supply)
Quiescent current	30mA (when DC12V power supply)
Dimensions	86X86mm
Capacitive sensing distance	5cm
Launch distance	30 meters in the open, up to 30 meters or more
Power supply (transmitter)	2pcs 1.5V dry batteries, power supply in series
Battery life (transmitter)	An average of 200 presses per day, 220 days of durability

A4A-505MHW – BEŽIČNO (BATERIJE)

Power supply (transmitter)	2pcs 1.5V dry batteries, power supply in series)
Standby current (transmitter)	≤10.3μA
Emission current (transmitter)	12.55mA
Battery life (transmitter)	An average of 200 inductions per day, 220 days of durability
Receiver sensitivity	-95dbm
Infrared sensing distance	3~17cm adjustable
Launch distance	30 meters in an open space, up to 30 meters or more
Power supply (wireless receiver)	DC12~30V
Quiescent current (wireless receiver)	30mA (when DC12V power supply)
Action current	74mA (when DC12V power supply)
Main contact capacity (wireless receiver)	1A 24VDC
Contact holding time (wireless receiver)	1.5 seconds





 +381 11 355 7599
 +381 63 598 017
 office@aspekt.rs